

MARINE
ILLUSTRATED
PARTS MANUAL
MODEL MP454 XLi
SERIAL NUMBER 101810 THRU 103880
MODEL MP7.4L
SERIAL NUMBER 103538 AND ABOVE

This Page Was
Intentially
Left Blank

Contents:

Cylinder Block Assembly - Figure 1	4
Crankshaft, Cam and Piston Assembly - Figure 2	6
Cylinder Head Assembly - Figure 3	8
Oil Pan and Oil Pump Assembly - Figure 4	10
Remote Oil Filter Assembly - Figure 5	12
Intake Manifold Assembly - Figure 6	14
Intake Manifold Components - Figure 7	16
Return Type Fuel System - Figure 8	18
Returnless Type Fuel System - Figure 9	20
Delco Ignition Components - Figure 10	22
Wiring Harness Assemblies - Figure 11	24
Early Style ECM Assemblies - Figure 12	26
Late Style ECM Assemblies - Figure 13	28
Alternator Assembly (Mando) - Figure 14	30
Starter Motor Components - Figure 15	32
Exhaust Manifold Assembly - Figure 16	34
Pulleys, Belts and Mounting Hardware - Figure 17	36
Raw Water Cooling Components - Figure 18	38
Engine Water Circulation Pump - Figure 19	40
Raw Water Cooling Pump - Figure 20	42
Engine and Transmission Mounts - Figure 21	44
Bellhousing Assembly - Figure 22	46
Transmission and Related Parts (Velvet Drive In-Line) - Figure 23	48
Transmission and Related Parts (Velvet Drive "V"-Drive) - Figure 24	50
Transmission and Related Parts (Velvet Drive 5000) - Figure 25	52
Transmission and Related Parts (Hurth Gear) - Figure 26	54
Fresh Water Cooling Components 1 (Rear Mounted Exchanger) - Figure 27	56
Fresh Water Cooling Components 2 (Rear Mounted Exchanger) - Figure 28	56
Fresh Water Cooling Components 1 (Front Mounted Exchanger) - Figure 29	56
Fresh Water Cooling Components 2 (Front Mounted Exchanger) - Figure 30	56
Aluminum Oil Pan and Oil Pump Assembly - Figure 31	64
Engine Decals	65

"TYPICAL VIEWS ARE SHOWN"**ENGINE ROTATION**

Engine Rotation is identified as "RH" or "LH" with the engine model number. Rotation always is determined from the flywheel end looking toward the front of the engine. In some instances, propeller shaft rotation may be opposite to that of the engine.

When ordering a replacement engine, production block or parts for the engine, be certain to check engine rotation. **DO NOT rely on propeller rotation in order to determine engine rotation.**

LEFT-HAND ROTATION is STANDARD ROTATION.

(Flywheel turns counterclockwise when viewed from flywheel end of the engine.)

RIGHT-HAND ROTATION is OPPOSITE ROTATION.

(Flywheel turns clockwise when viewed from flywheel end of the engine.)

HOW TO READ THIS PARTS BOOK:

ITEM	PART NUMBER	DESCRIPTION	QUANTITY
1	RB001006F	Base Engine Assembly, 7.4L	1

①
|
①

②
|
②

③
|
③

④
|
④

- ① ITEM NUMBER - This number corresponds with the number in the exploded view on the facing page.
- ② PART NUMBER - This is the designated part number for the particular component or assembly.
- ③ DESCRIPTION - This identifies what the component or assembly is.
- ④ QUANTITY - This refers to the number of pieces used.

Symbols shown throughout parts list are defined here or on the bottom of the individual parts list page.

- AR = As Required
- OPT = Optional
- NSS = Not Serviced Separately
- NA = Not Available
- SS = Single Station Control
- DS = Dual Station Control
- OS = Oversize
- US = Undersize
- NS = Not Shown
- TBD = To Be Determined
- NI = Not Illustrated

REPLACEMENT PARTS:



WARNING:

Electrical, ignition and fuel system components on Crusader Engines are designed and manufactured to comply with U.S. Coast Guard rules and regulations to minimize risks of fire or explosion.

Use of replacement electrical, ignition and fuel system components which do not comply with these rules and regulations could result in a fire or explosion hazard and should be avoided.

GASKET AND DECAL KIT NUMBERS:

Description	Part Number
Complete Engine Overhaul Gasket Set	
Valve Grind Gasket Set	
Oil Pan Gasket Set	
Intake Manifold Gasket Set	
On Board Spare Parts Kit	

=====

MAINTENANCE ITEM PART NUMBERS:

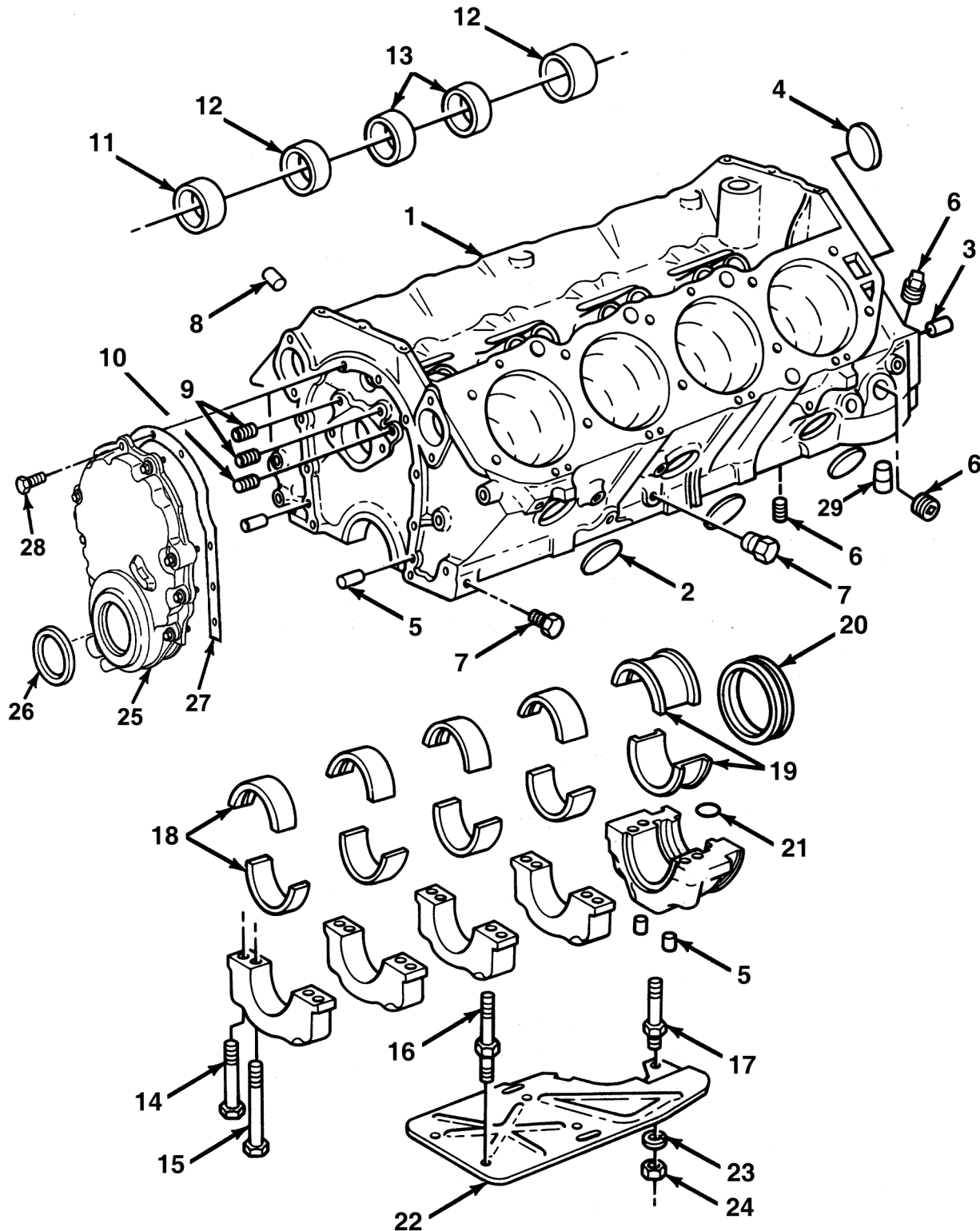
Description	Part Number
Oil Filter	22679
Fuel Filter	47038
Spark Plugs	RPO30008
Spark Plugs (platinum)	49078
Spark Plug Wire Set	98171
Alternator Drive Belt	98210
Raw Water Pump Drive Belt	10258

MARINE TRANSMISSIONS:

Crusader Engines are equipped with Velvet Drive or Hurth Transmissions or "V"-drives. If transmission parts are required, contact your dealer or closest Crusader Parts Distributor for required parts.

Parts manuals and overhaul manuals are available through Crusader Distributors.

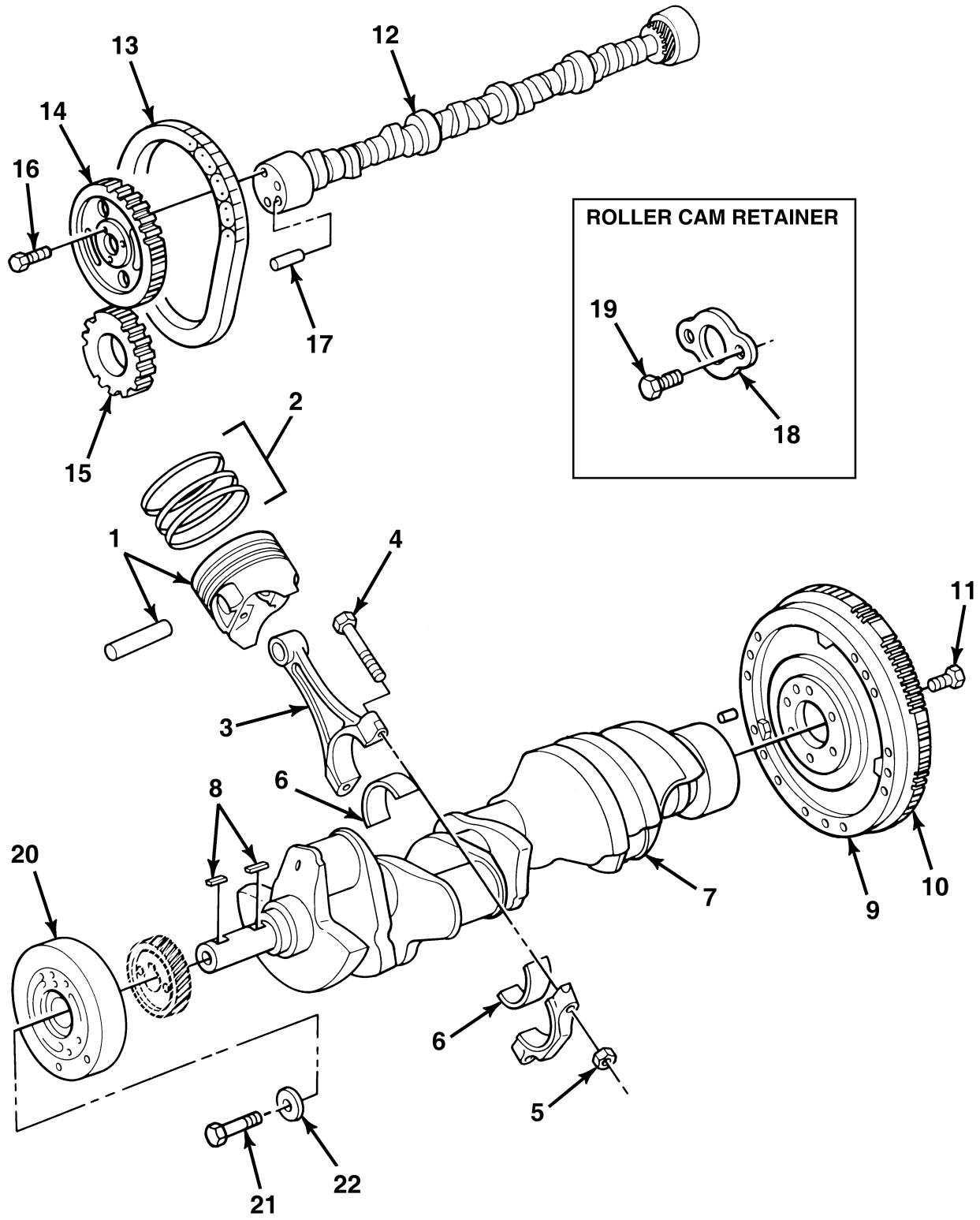
CYLINDER BLOCK ASSEMBLY - FIGURE 1



CYLINDER BLOCK ASSEMBLY - FIGURE 1

ITEM	PART NUMBER	DESCRIPTION	QUANTITY
*	RB001006F	Production Block Assembly	1
1	NSS	Cylinder Case Assembly	1
2	R069066	Core Plug (1-1/4")	6
3	7140480	Pin, dowel – aligning	2
4	7050200	Plug, camshaft bearing hole	1
5	7100330	Pin, dowel – aligning	4
6	RS3557	Plug, pipe (3/8")	5
7	RS3552	Plug, pipe (1/4")	4
8	R022021	Dowel, cylinder head aligning	4
9	7050090	Plug, oil vent	2
10	7050270	Plug, pipe	1
11	7050020	Cam Bearing #1	1
12	7050030	Cam Bearing #2 & #5	2
13	7050010	Cam Bearing #3 & #4	2
14	7050260	Bolt, main bearing cap (Short)	10
15	7050130	Bolt, main bearing cap (Long)	6
16	7050350	Stud, main bearing cap	4
17	7100470	Stud, oil pump attaching	1
18	7050120	Bearing, crankshaft main (STD)	4
18	7050790	Bearing, crankshaft main (.010 US)	AR
18	7050800	Bearing, crankshaft main (.020 US)	AR
19	7050150	Bearing, rear main (STD)	1
19	7050810	Bearing, rear main (.010 US)	AR
19	7050820	Bearing, rear main (.020 US)	AR
20	R047205	Oil Seal, rear main (LH ROT)	1
21	7050160	O-Ring, oil seal rear main cap	1
22	31131	Baffle Assembly, oil pan	1
23		Washer, baffle mounting stud	5
24	7150750	Nut, baffle mounting stud	5
25	7071060	Cover, crankcase front (Composite)	1
26	R047220	Oil Seal, front cover	1
27	7130260	Gasket, front cover1	
28	7071250	Bolt, front cover	10
29	98173	Valve, pressure relief	
		NOTE: Production block assemblies include all internal parts, cylinder head, intake manifold, flywheel, and circulating pump.	

CRANKSHAFT, CAM AND PISTON ASSEMBLY - FIGURE 2



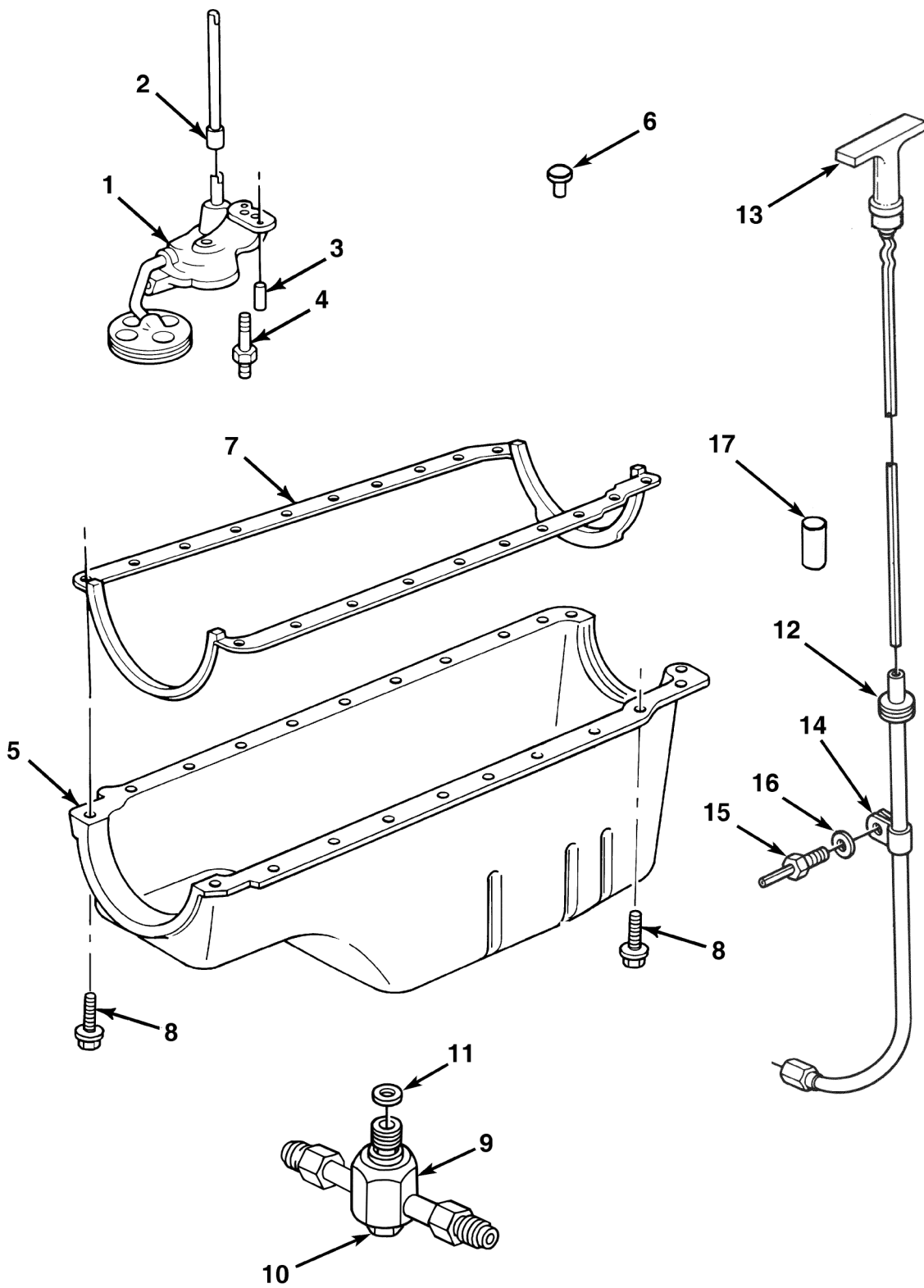
CRANKSHAFT, CAM AND PISTON ASSEMBLY - FIGURE 2

ITEM	PART NUMBER	DESCRIPTION	QUANTITY
1	7080200	Piston and Pin Assembly (STD)	8
1	7080210	Piston and Pin Assembly (.030 OS)	AR
2	7080180	Ring Set, piston (STD)	8
2	7080100	Ring Set, piston (.030 OS)	AR
3	RA011009	Connecting Rod Assembly	8
4	7080040	Bolt, connecting rod cap	16
5	7080050	Nut, connecting rod cap	16
6	7050190	Bearing Set, connecting rod (STD)	8
6	7050830	Bearing Set, connecting rod (.010 US)	AR
6	7050840	Bearing Set, connecting rod (.020 US)	AR
7	7070230	Crankshaft Assembly (LH ROT)	1
8	31143	Key, timing gear and balancer	2
9	RA138009A	Flywheel Assembly (14")	1
10	7070070	Ring Gear, flywheel	1
11	R009140	Bolt, flywheel to crankshaft	6
12	7071050	Camshaft Assembly (Roller Lifter)	1
13	7080160	Chain, camshaft timing	1
14	7071260	Sprocket, camshaft timing	1
15	7071270	Sprocket, crankshaft timing	1
16	30698	Bolt, sprocket to cam (3/4")	3
17	7100330	Pin, camshaft sprocket	1
18	R109050	Camshaft Thrust Plate	1
19	7070700	Bolt, thrust plate retainer	2
20	7071080	Harmonic Balancer	1
21	7070060	Bolt, balancer to crankshaft	1
22	7070040	Washer, harmonic balancer bolt	1

CYLINDER HEAD ASSEMBLY - FIGURE 3

ITEM	PART NUMBER	DESCRIPTION	QUANTITY
1	7231720	Cover , rocker	2
2	23551	Riser , oil fill	2
3	22844	O-Ring , oil fill riser seal	2
4	R034038A	Cap , oil fill	2
5	31114	Bolt , rocker cover retaining	14
6	RM0247	Gasket , valve cover	2
7	7231740	Grommet , valve cover	1
8	49049	PCV Assembly	1
9	7231750	Cylinder Head	2
10	7140180	Plug , pipe (1/2")	2
11	7230070	Bolt , rocker arm attaching	16
12	7230090	Rocker Arm , valve	16
13	7231760	Ball , rocker arm	16
14	31142	Guide , push rod	8
15	7231630	Push Rod , intake	8
16	7231640	Push Rod , exhaust	8
17	R040004	Valve Lifter , hydraulic	16
18	R037004	Restrictor , valve lifter	8
19	R090253	Retainer , valve lifter	1
20	33753	Washer , retainer mounting	3
21	TBD	Bolt , retainer mounting	3
22	R043024	Valve , intake (STD)	8
23	R043026	Valve , exhaust (STD)	8
24	R049013	Rotator Assembly	16
25	7231700	Valve Spring Assembly	16
26	7230160	Seal , valve stem (All)	32
27	R049014	Cap , valve (All)	16
28	R049010	Retainer , valve stem	32
29	7050300	Bolt , cylinder head to block (Short)	8
30	7050280	Bolt , cylinder head to block (Long)	24
31	RM0227	Gasket , cylinder head	2

OIL PAN and OIL PUMP ASSEMBLY - FIGURE 4



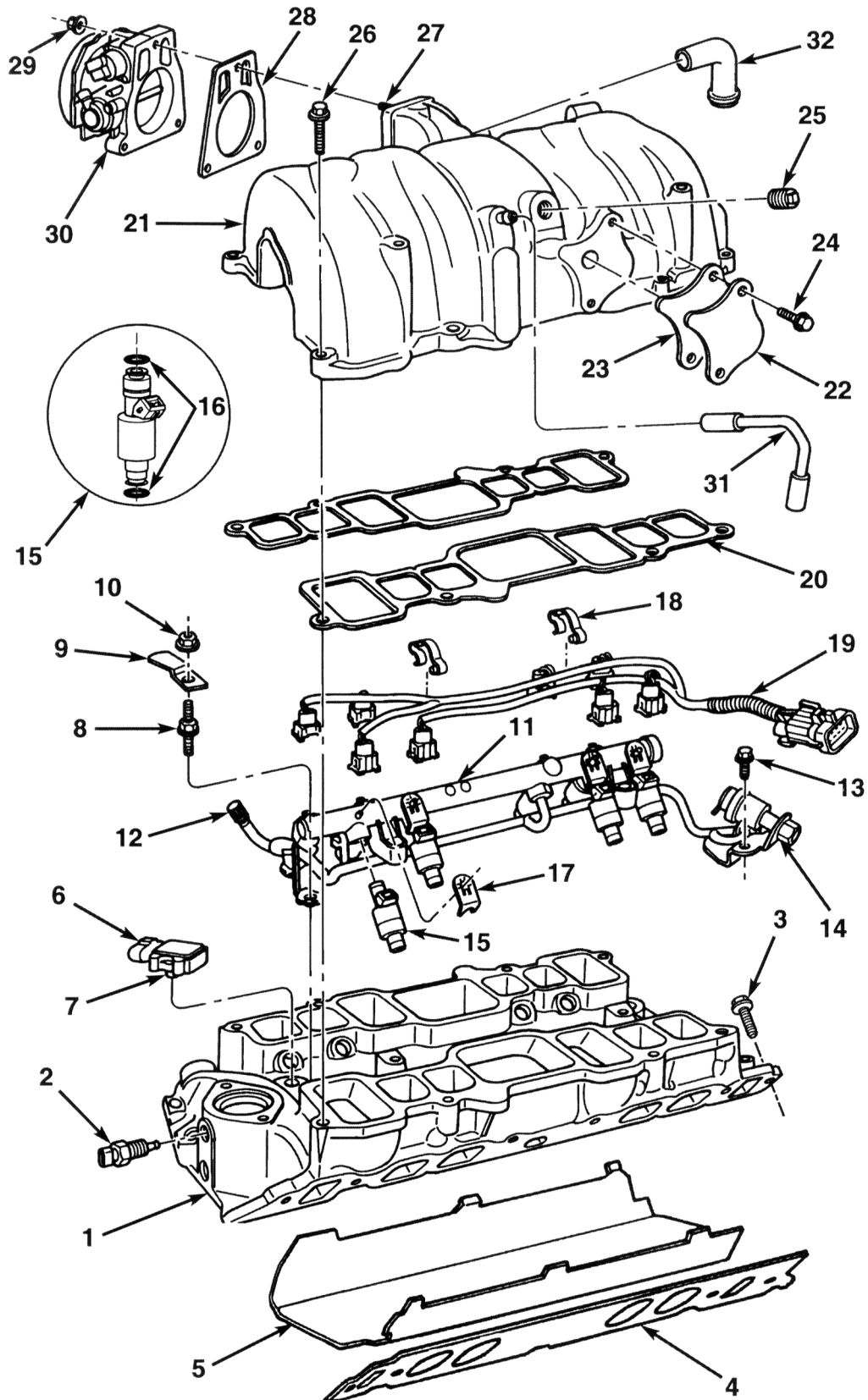
OIL PAN and OIL PUMP ASSEMBLY - FIGURE 4

ITEM	PART NUMBER	DESCRIPTION	QUANTITY
1	RA070011	Oil Pump Assembly	1
2	R058055	Shaft , oil pump to distributor	1
3	R022022	Pin , dowel - aligning	2
4	7100470	Stud , oil pump mounting	1
5	R005022	Oil Pan , stamped 8 quart	1
6	30626	Plug , oil pan blockoff	1
7	RM0230	Gasket , oil pan	1
8	R009097	Bolt , oil pan attaching	20
9	98432	Fitting , oil pan dipstck	1
10	98466	Bolt , dipstick fitting attaching	1
11	23535	Seal , oil pan dipstick fitting	1
12	98458	Dipstick Tube , (All installations)	2
13	98459	Dipstick , oil level (yellow/blue lettering)	1
14	R127015	Clamp , dipstck attaching	2
15	98235	Bolt , clamp attaching	2
16	RS2180	Lockwasher , attaching bolt	2
17	45343	Seal , dipstick tube	1

REMOTE OIL FILTER ASSEMBLY - FIGURE 5

ITEM	PART NUMBER	DESCRIPTION	QUANTITY
1	98105	Adapter, remote filter to cylinder block	1
2	98173	Valve, oil pressure relief	1
3	22802	O-Ring, adapter to block (Small)	1
4	22654	O-Ring, adapter to block (Large)	1
5	90225175	Bolt, adapter to cylinder block	2
6	92205000	Washer, adapter bolt (Copper)	2
7	18100	Hose Assembly, adapter to filter header (40")	1
8	22897	O-Ring, oil line	2
9	R079066	Oil Filter Header	1
10	R024203	Nipple, header filter adapter	1
11	22679	Oil Filter Element	1
12	90205100	Bolt, header to bracket	3
13	93200000	Lockwasher, header mounting bolt	3
14	95200000	Nut, header mounting bolt	3
15	98334	Bracket, filter mounting	1
15	98635	Bracket, filter mounting (Front mounted closed cooling)	1
16	90405200	Bolt, bracket to cylinder head	2
17	93400000	Lockwasher, bracket mounting bolt	2
18	98183	Spacer, mounting bracket	1
19	18102	Hose Assembly, filter header to oil cooler (18")	1
20	22897	O-Ring, oil line	1
21	98123	Oil Cooler Assembly (RWC cooling only)	1
21	98570	Oil Cooler Assembly (Closed cooling only)	AR
22	R168005	Zinc, sacrificial	1
23	18101	Hose Assembly, oil cooler to adapter (47")	1
24	22897	O-Ring, oil line	1
25	22121	Clamp, oil line mounting	2

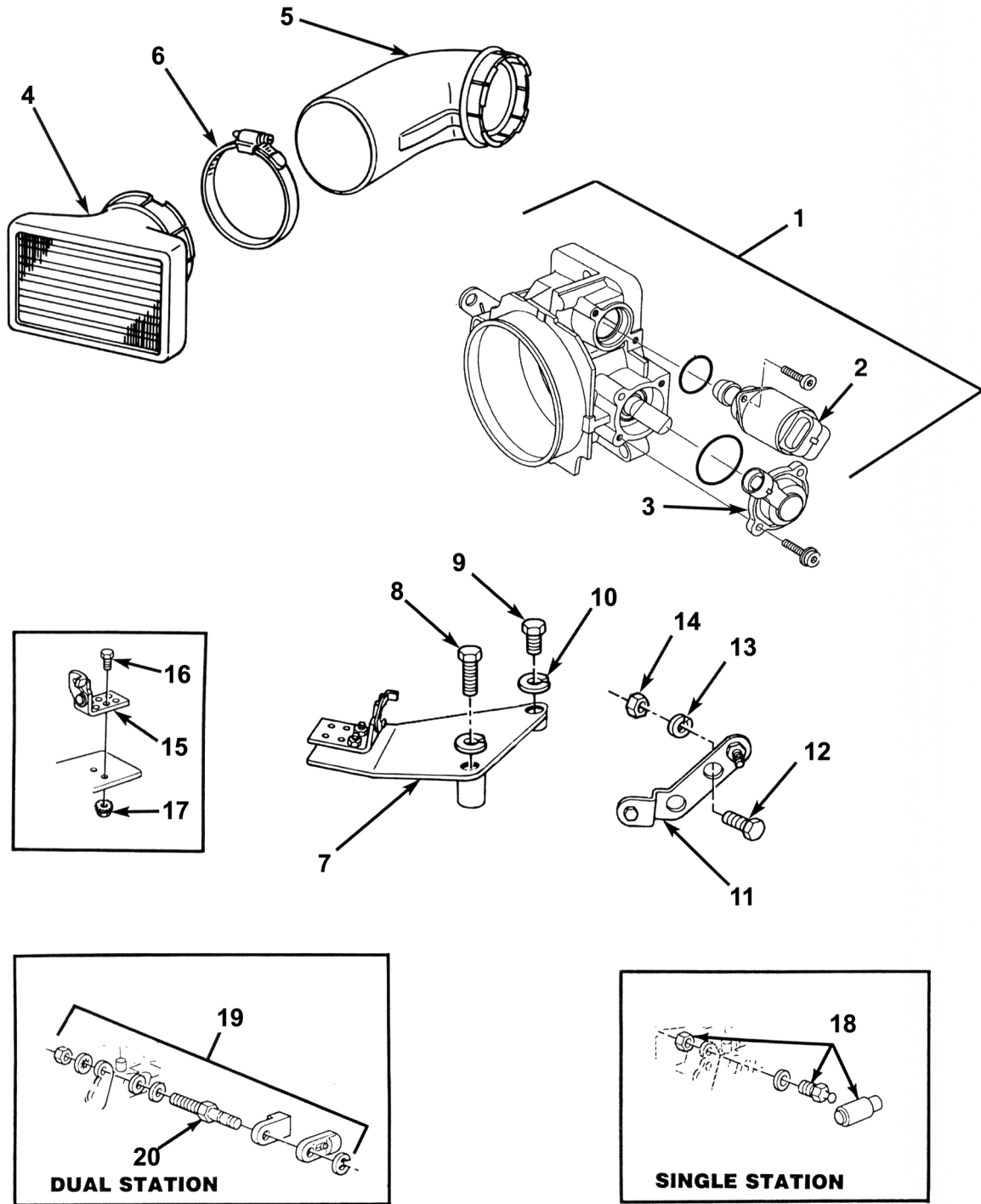
INTAKE MANIFOLD ASSEMBLY - FIGURE 6



INTAKE MANIFOLD ASSEMBLY - FIGURE 6

ITEM	PART NUMBER	DESCRIPTION	QUANTITY
1	7151280	Intake Manifold, lower	1
2	R020019	Sender, temperature (CTS)	1
3	7151310	Bolt, intake mounting (1-1/4")	12
4	7151330	Gasket, intake manifold H s	1
5	31038	Guard, oil splash - lifter	1
6	49050	Sensor, MAP	1
7	47310	Seal, MAP sensor	1
8	49055	Stud, fuel rail retaining	1
9	49054	Clip, MAP sensor retaining	1
10	97330010	Nut, retaining clip holddown	1
11	49059	Injector Fuel Rail Assembly	1
12	49053	Cap, test valve	1
13	49056	Bolt, fuel rail attaching	1
14	49063	Fuel Pressure Regulator	1
15	49051	Injector Assembly	8
16	49062	O-Ring, kit fuel injector	8
17	49052	Retainer, fuel injector to fuel rail	2
18	49058	Clip, injector wire harness retaining	1
19	49057	Wire Harness Assembly, fuel injectors	
20	7151320	Gasket, upper to lower intake manifold	1
21	7151290	Intake Manifold, Upper	1
22	7151340	Cover, EGR blockoff	1
23	7150540	Gasket, EGR blockoff cover	1
24	7142110	Bolt, EGR blockoff cover attaching	3
25	RS3551	Plug, 3/8" NPT	1
26	7151300	Bolt, intake mounting	8
27	49066	Stud, throttle body mounting	3
28	RM0251	Gasket, throttle body mounting H s	1
29	49027	Nut, throttle body mounting	3
30	RA035036	Throttle Body Assembly	1
31	49064	Hose, PCV connecting	1
32	49065	Hose, fresh air inlet	1

INTAKE MANIFOLD COMPONENTS - FIGURE 7



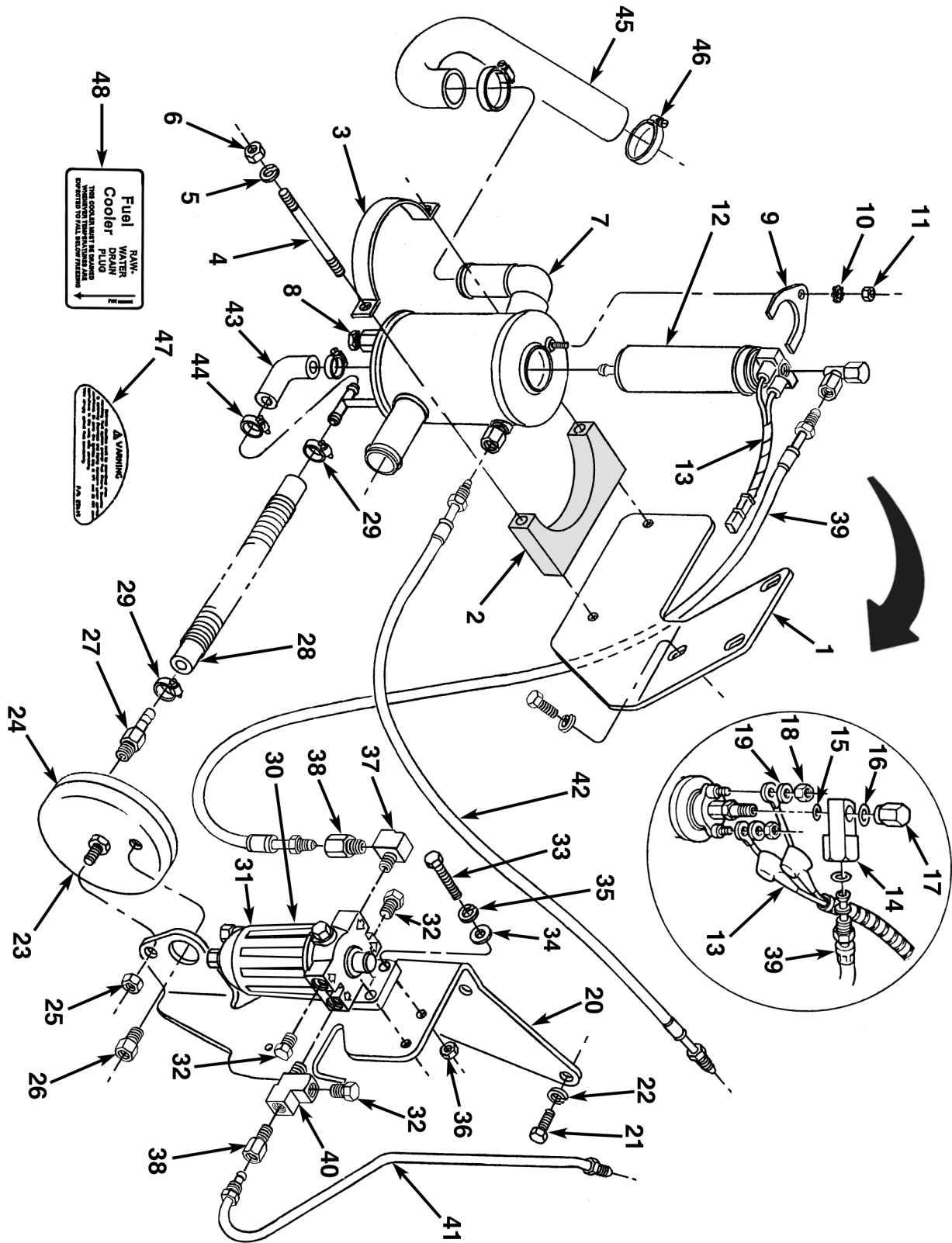
INTAKE MANIFOLD COMPONENTS - FIGURE 7

ITEM	PART NUMBER	DESCRIPTION	QUANTITY
1	RA035036	Throttle Body Assembly	1
2	49060	Idle Air Control Valve (IAC)	1
3	49061	Throttle Position Sensor (TPS)	1
4	49037	Flame Arrestor, intake	1
5	98580	Extension Tube, air inlet	1
6	23541	Clamp, retaining	2
7	98568	Throttle Bracket, intake	1
8	90205125	Bolt, bracket mounting (Long)	1
9	90205100	Bolt, bracket mounting (Short)	1
10	93200000	Lockwasher, mounting bolt	2
11	98551	Throttle Arm, throttle body	1
12	90124050	Bolt, throttle arm retaining	2
13	93100000	Lockwasher, retaining bolt	2
14	95100000	Nut, retaining bolt	2
15	R090086	Cable Clip, throttle attaching (Single)	1
15	22232	Cable Clip, throttle attaching (Dual)	AR
16	91000051	Screw, clip mounting	2
17	95000060	Nut, clip mounting screw	2
18	R178014	Ball Joint Assembly, cable attaching (Single)	1
19	23235	Cable Attaching Kit, Dual	AR
20	22978	Pivot Pin, cable attaching (Dual)	1

RETURN TYPE FUEL SYSTEM COMPONENTS- FIGURE 8

ITEM	PART NUMBER	DESCRIPTION	QUANTITY
1	98531	Bracket , fuel pump mounting	1
2	98437	Clamp , fuel pump retaining	4
3	90205350	Bolt , fuel pump mounting	4
4	93200000	Lockwasher , mounting bolt	4
5	92200000	Washer , mounting bolt	4
6	47039	Electric Fuel Pump Assembly	1
7	49038	Wire Harness , fuel pump to engine harness	1
8	98440	Fitting , fuel line to fuel pump	1
9	23516	O-Ring , fuel pump sealing (Large)	1
10	23515	O-Ring , fuel pump sealing (Small)	1
11	98442	Nut , fitting to fuel pump	1
12	NSS	Nut , wire retaining	1
13	NSS	Lockwasher , retaining nut	1
14	98553	Bracket , filter mounting	1
15	90405100	Bolt , bracket to cylinder head attaching	3
16	93400000	Lockwasher , attaching bolt	3
17	47038	Filter , Fuel inlet	1
18	47061	Screen , inlet filter (Not Shown)	1
19	47066	Nut , filter to bracket attaching	1
20	R024196	Fitting , fuel inlet	1
21	137425	Elbow , fuel outlet	1
22	98469	Fuel Line , filter to fuel pump	1
23	RS3864	Clamp , fuel line to fuel pump	2
24	47046	Fuel Filter , Racor water separating	1
25	47047	Element , Racor fuel filter (Not Shown)	1
26	RS3552	Fitting , blockoff	2
27	90205125	Bolt , filter mounting	2
28	92200000	Washer , mounting bolt	2
29	93200000	Lockwasher , mounting bolt	2
30	95200000	Nut , mounting bolt	2
31	80302	Elbow , fuel inlet fitting	1
32	30637	Adapter , fuel line	2
33	49034	Fuel Line Assembly , fuel pump to filter	1
34	98447	Elbow , three way fuel fitting	1
35	49032	Fuel Line Assembly , filter to fuel rail	1
36	49033	Fuel Line Assembly , return from fuel rail	1
37	30620	Elbow , fuel return fitting	1
38	49035	Fuel Line Assembly , return fitting to filter	1
39	98450	Adapter , air bleed	1
40	23649	Decal , fuel system warning	1

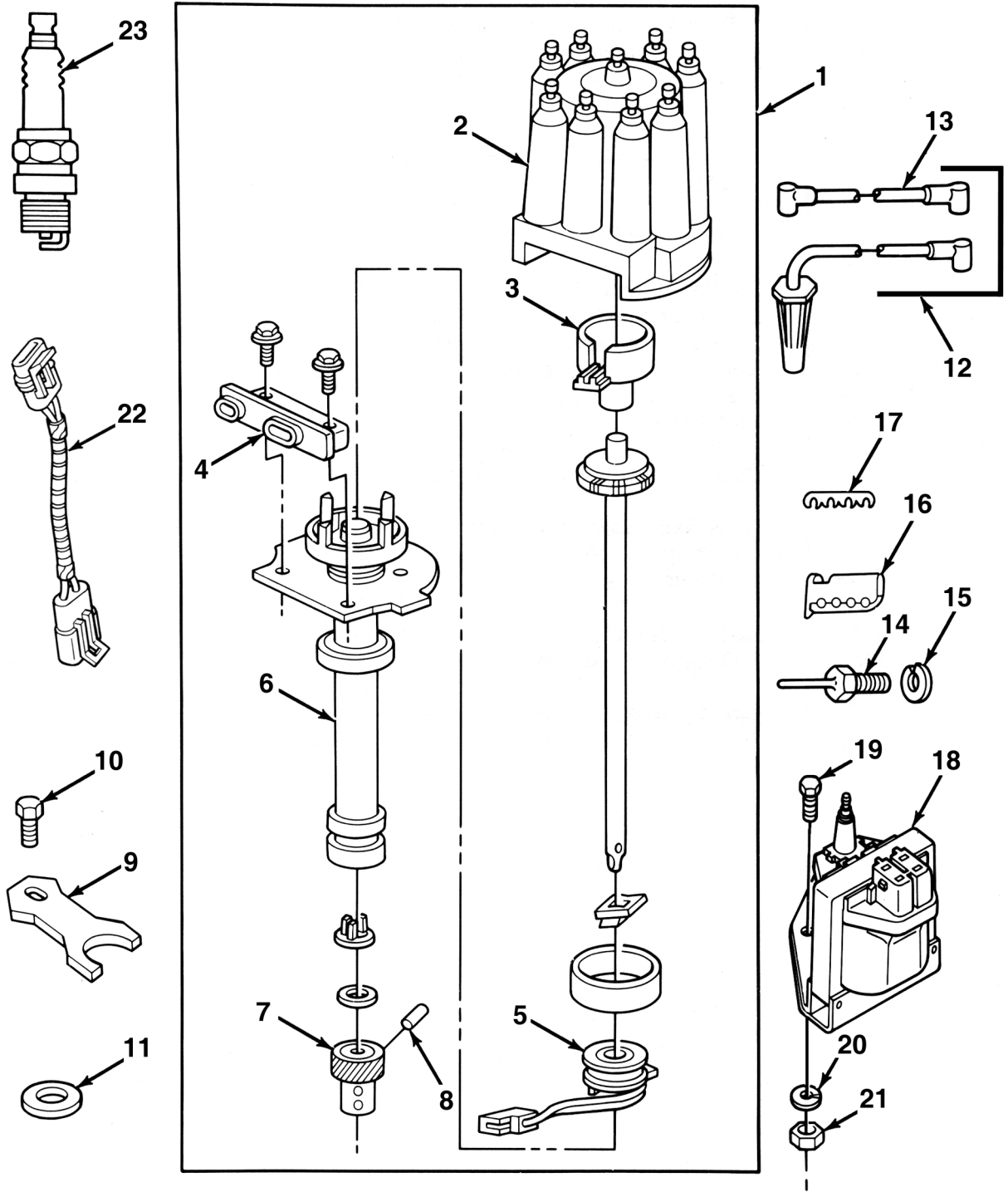
RETURNLESS FUEL SYSTEM COMPONENTS - FIGURE 9



RETURNLESS FUEL SYSTEM COMPONENTS - FIGURE 9

ITEM	PART NUMBER	DESCRIPTION	QUANTITY
1	98596	Bracket , fuel cooler mounting	1
2	23554	Retainer , fuel cooler rubber	1
3	NSS	Clamp , fuel cooler retaining (part of item #2)	1
4	96369	Stud , fuel cooler mounting	2
5	93300000	Lockwasher , mounting stud	1
6	RS1028	Nut , clamp retaining nut	1
7	98597	Fuel Cooler Assembly	1
8	RS3552	Drain Plug , fuel cooler	1
9	98642	Retainer , fuel pump	1
10	TBD	Star Washer , retaining nut	1
11	TBD	Nut , fuel pump retainer attaching	1
12	47039	Electric Fuel Pump Assembly	1
13	49038	Wire Harness , fuel pump to engine harness	1
14	98440	Fitting , fuel line to fuel pump	1
15	23516	O-Ring , fuel pump sealing (Large)	1
16	23515	O-Ring , fuel pump sealing (Small)	1
17	98442	Nut , fitting to fuel pump	1
18	NSS	Nut , wire retaining	1
19	NSS	Lockwasher , retaining nut	1
20	98553	Bracket , filter mounting	1
21	90405100	Bolt , bracket to cylinder head attaching	3
22	93400000	Lockwasher , attaching bolt	3
23	47038	Filter , Fuel inlet	1
24	47061	Screen , inlet filter (Not Shown)	1
25	47066	Nut , filter to bracket attaching	1
26	R024196	Fitting , fuel inlet	1
27	30636	Fitting , fuel outlet	1
28	98431	Fuel Line , filter to fuel pump	1
29	RS3864	Clamp , fuel line	2
30	47046	Fuel Filter , Racor water separating	1
31	47047	Element , Racor fuel filter (Not Shown)	1
32	RS3552	Fitting , blockoff	3
33	90205125	Bolt , filter mounting	2
34	92200000	Washer , mounting bolt	2
35	93200000	Lockwasher , mounting bolt	2
36	95200000	Nut , mounting bolt	2
37	80302	Elbow , fuel inlet fitting	1
38	30637	Adapter , fuel line	2
39	47116	Fuel Line Assembly , fuel pump to filter	1
40	98447	Elbow , three way fuel fitting	1
41	49032	Fuel Line Assembly , filter to fuel rail	1
42	49076	Fuel Line Assembly , from fuel rail to fuel cooler	1
43	49041	Fuel Line , return fitting to fuel pump	1
44	RS3864	Clamp, fuel line	4
45	18388	Hose, cooler to water pump	1
46	RS3858	Clamp , hose	2
47	23649	Decal , fuel system warning	1
48	23645	Decal , fuel cooler system warning	1

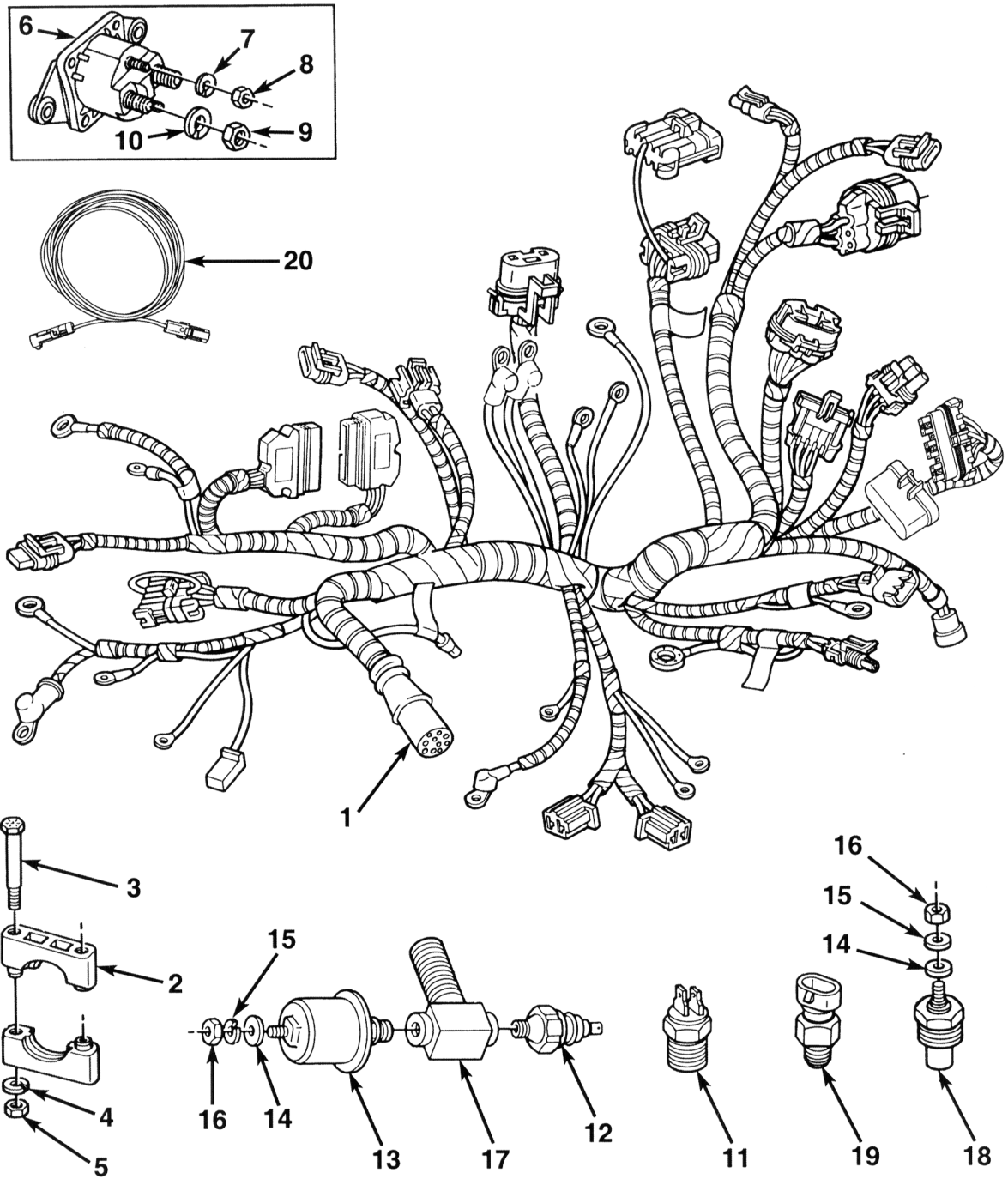
DELCO IGNITION COMPONENTS - FIGURE 10



DELCO IGNITION COMPONENTS - FIGURE 10

ITEM	PART NUMBER	DESCRIPTION	QUANTITY
1	RA107039E	Distributor Assembly	1
2	RA108006	Cap , distributor	1
3	R103008	Rotor , ignition	1
4	R116014	Module , ignition	1
5	R105003	Pickup Coil Assembly	1
6	7243800	Housing , distributor	1
7	7243880	Gear , drive	1
8	7241200	Pin , drive gear	1
9	R126026	Clamp , distributor hold-down	1
10	90325088	Bolt , distributor clamp	1
11	RM0123	Gasket , distributor	1
12	98171	Spark Plug Wire Set	1
13	98094	Coil Wire	1
14	97663	Stud, Pin , retainer mounting (5/8")	1
14	98235	Stud, Pin , retainer mounting (1")	1
14	R096144	Washer / Pin	1
15	93300000	Lockwasher , wire retainer stud	2
16	22222	Retainer , spark plug wires	2
17	R127062	Separator , spark plug wires	2
18	R117005	Ignition Coil Assembly	1
19	90205088	Bolt , coil to bracket (7/8")	2
20	9417953	Lockwasher , coil mounting bolt	2
21	RS1046	Nut , coil mounting bolt	2
22	7241790	Wire , coil to distributor	1
23	RP030008	Spark Plug	1
23	49078	Spark Plug (Platinum)	8

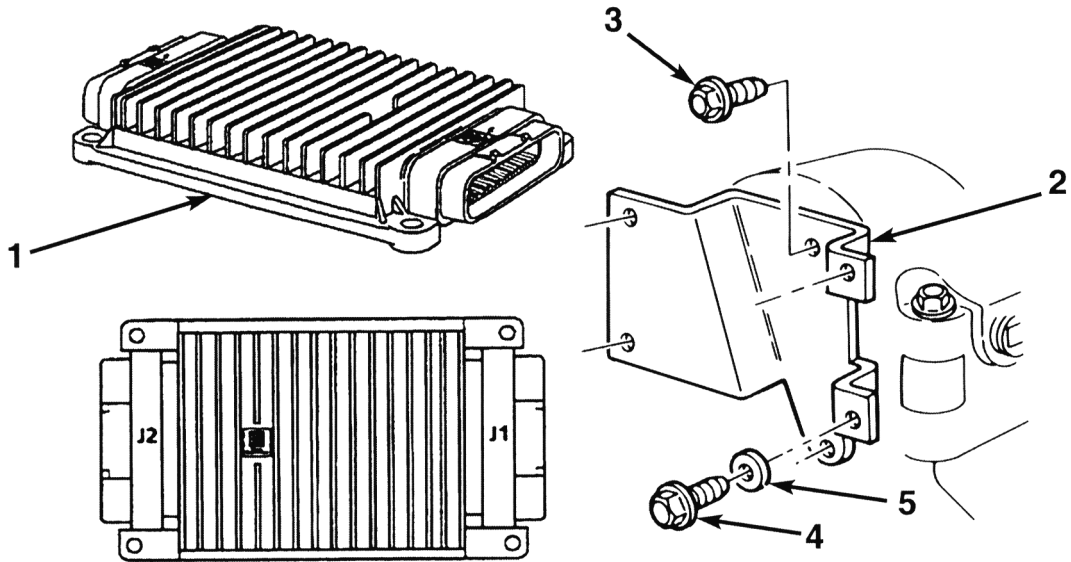
WIRING HARNESS ASSEMBLIES and SENDERS - FIGURE 11



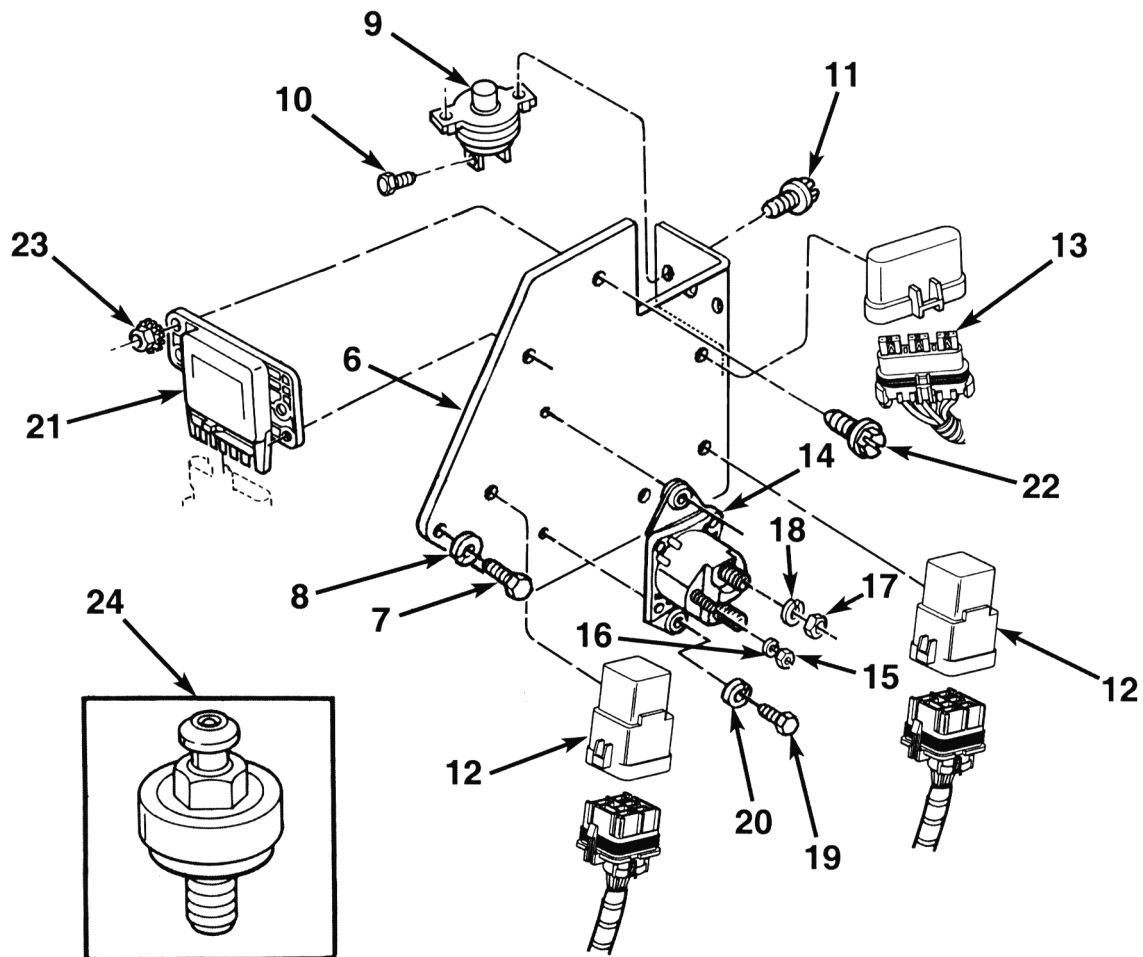
WIRING HARNESS ASSEMBLIES and SENDERS - FIGURE 11

ITEM	PART NUMBER	DESCRIPTION	QUANTITY
1	49080	Engine Wire Harness Assembly (MP454XLi)	1
1	49028	Engine Wire Harness Assembly (MP7.4L)	1
2	98266	Clamp , main connector mounting	2
3	90105300	Bolt , clamp attaching	2
4	92100000	Lockwasher , attaching bolt	2
5	95104300	Nut , attaching bolt	2
6	R130014	Solenoid , starter slave	1
7	95011000	Nut , solenoid terminal (#10)	1
8	93003000	Lockwasher , solenoid terminal (#10)	1
9	95201000	Nut , solenoid terminal (5/16")	2
10	93203000	Lockwasher , solenoid terminal (5/16")	2
11	R020037	Switch , transmission alarm	1
12	R020015A	Switch , engine oil pressure alarm	1
13	R020001	Sender , oil pressure (SS)	1
13	R020006	Sender , oil pressure (DS)	AR
13	22702	Sender , oil pressure (SS-VDO)	AR
13	22704	Sender , oil pressure (DS-VDO)	AR
14	TBD	Washer , sender terminal	1
15	TBD	Lockwasher , sender terminal	1
16	95011000	Nut , sender terminal	1
17	30612	Tee , sender attaching	1
18	R020003	Sender , temperature (SS)	1
18	727046	Sender , temperature (DS)	AR
18	22701	Sender , temperature (SS-VDO)	AR
18	22703	Sender , temperature (DS-VDO)	AR
14	TBD	Washer , sender terminal	AR
15	TBD	Lockwasher , sender terminal	1
16	95011000	Nut , sender terminal	1
19	47022	Sender , (CTS) coolant temperature switch	1
20	98654	Harness , Slave (Twin engine applications only)	1
NI	120322	Reducer , VDO sender (Not Shown)	1

EARLY STYLE ECM ASSEMBLIES - FIGURE 12



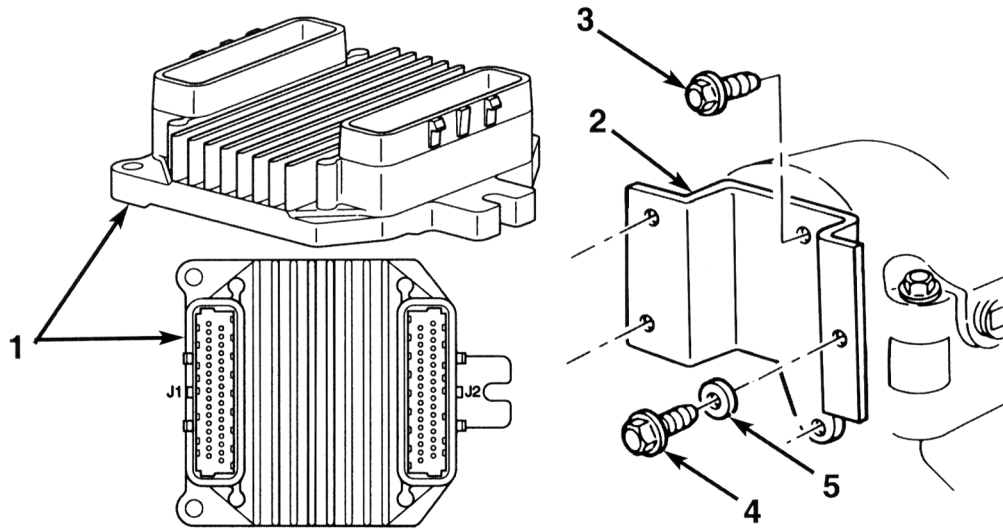
EARLY STYLE ECM ASSEMBLY - 4 BOLT MOUNTING



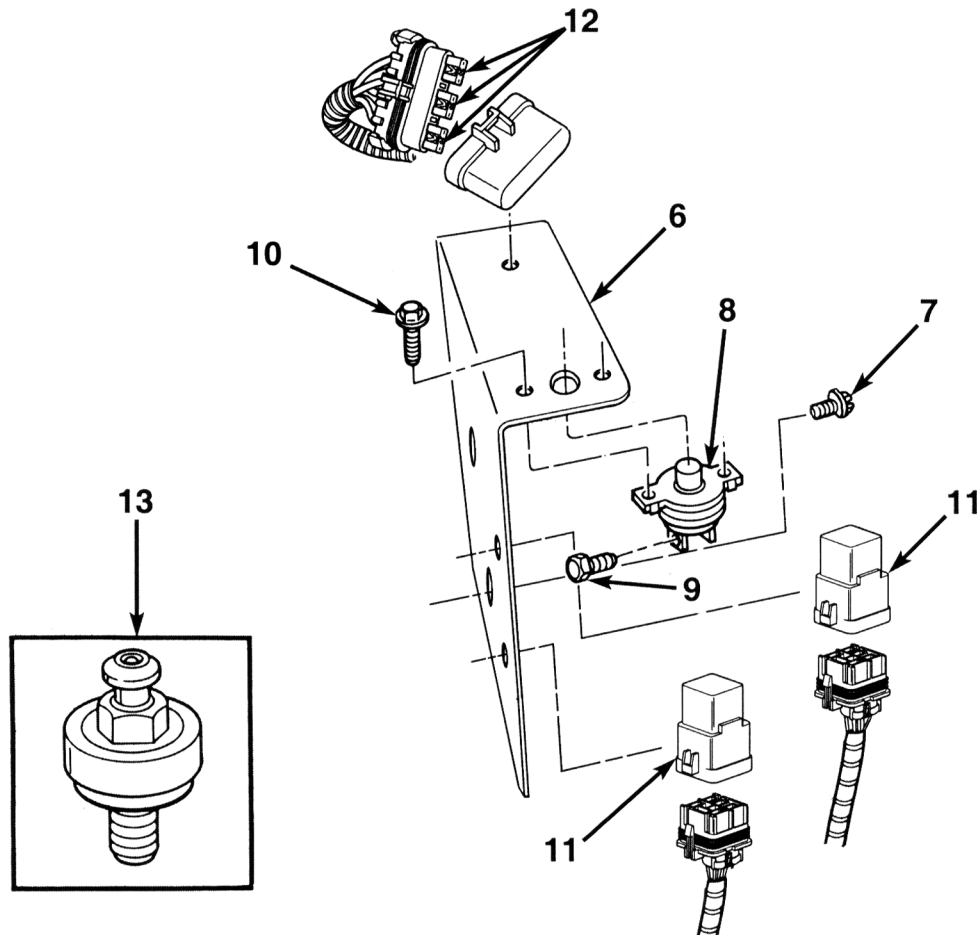
EARLY STYLE ECM ASSEMBLIES - FIGURE 12

ITEM	PART NUMBER	DESCRIPTION	QUANTITY
1	47056	Electronic Control Module (ECM)	1
2	98435	Bracket , ECM mounting	1
3	90124050	Bolt , bracket to elbow mounting	2
4	90105125	Bolt , ECM to mounting bracket	4
5	93100000	Washer , mounting bolt	4
6	98535	Bracket , component mounting	1
7	90405100	Bolt , bracket to cylinder head mounting	3
8	93400000	Lockwasher , mounting bolt	3
9	R153006B	Circuit Breaker Assembly (50 amp)	1
10	91680025	Screw , wire attaching	2
11	91833075	Bolt , circuit breaker mounting	2
12	R130012	Relay Assembly , fuel pump and ignition	2
13	R153017B	Fuses, 20 amp	3
14	R130014	Solenoid, starter slave	1
15	95011000	Nut , solenoid terminal (#10)	1
16	93003000	Lockwasher , solenoid terminal (#10)	1
17	95201000	Nut , solenoid terminal (5/16")	2
18	93203000	Lockwasher , solenoid terminal (5/16")	2
19	RS0251	Bolt , slave solenoid mounting	2
20	93100000	Lockwasher , mounting bolt	2
21	R116016	Knock Module	1
22	90105075	Bolt , module attaching	2
23	TBD	Nut , module attaching bolt	2
24	49039	Knock Sensor	2

LATE STYLE ECM ASSEMBLY - FIGURE 13



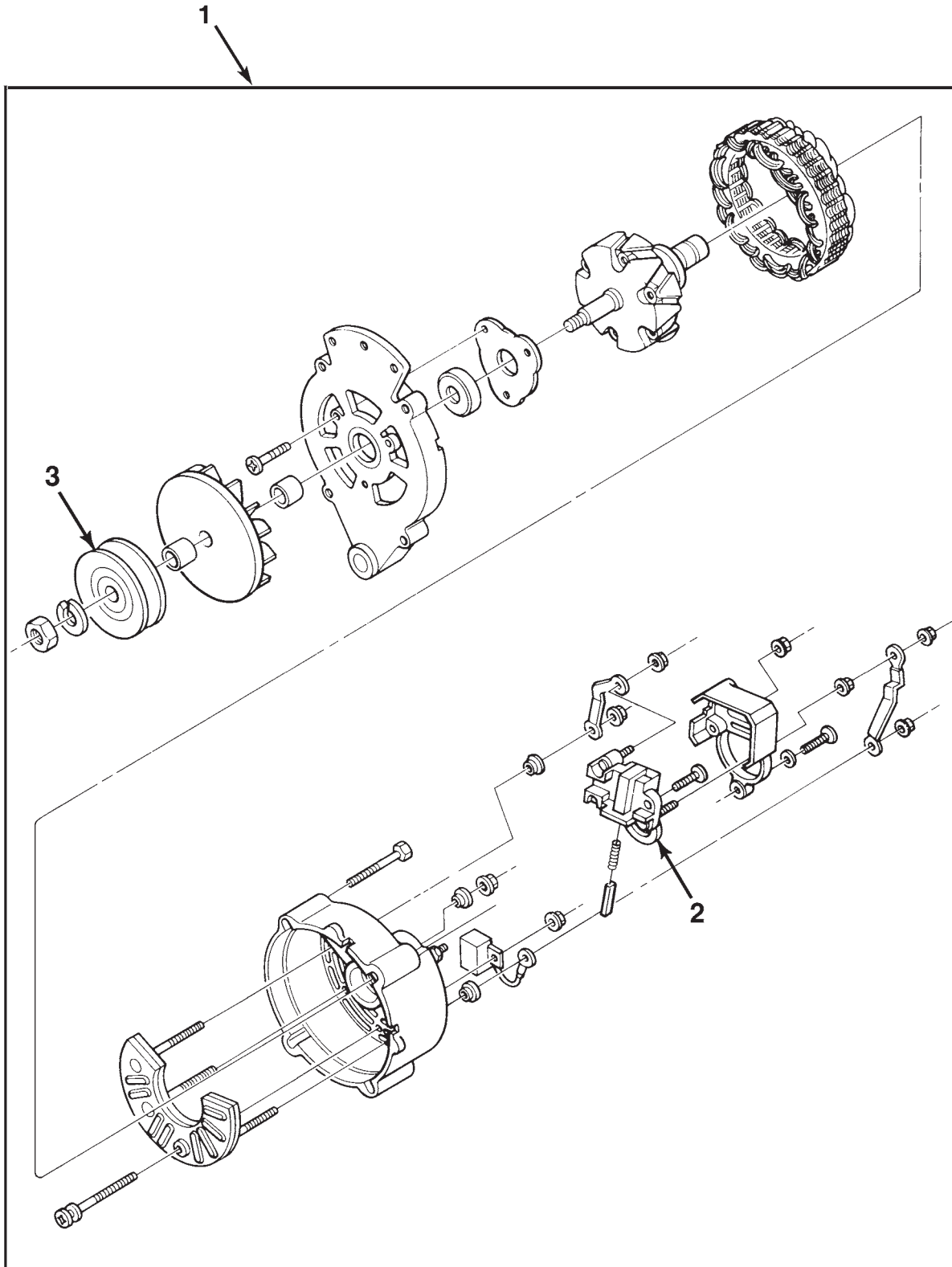
LATE STYLE ECM ASSEMBLY - 3 BOLT MOUNTING



LATE STYLE ECM ASSEMBLY - FIGURE 13

ITEM	PART NUMBER	DESCRIPTION	QUANTITY
1	47086	Electronic Control Module (ECM)	1
2	98616	Bracket, ECM mounting	1
3	90124050	Bolt, bracket to elbow mounting	2
4	90105125	Bolt, ECM to mounting bracket	3
5	93100000	Washer, mounting bolt	3
6	98660	Bracket, component mounting	1
7	90124050	Bolt, bracket to elbow mounting	3
8	R153006B	Circuit Breaker Assembly (50 amp)	1
9	91680025	Screw, wire attaching	2
10	91833075	Bolt, circuit breaker mounting	2
11	R130012	Relay Assembly, fuel pump and ignition	2
12	R153017B	Fuses, 20 amp	3
13	49039	Knock Sensor	2

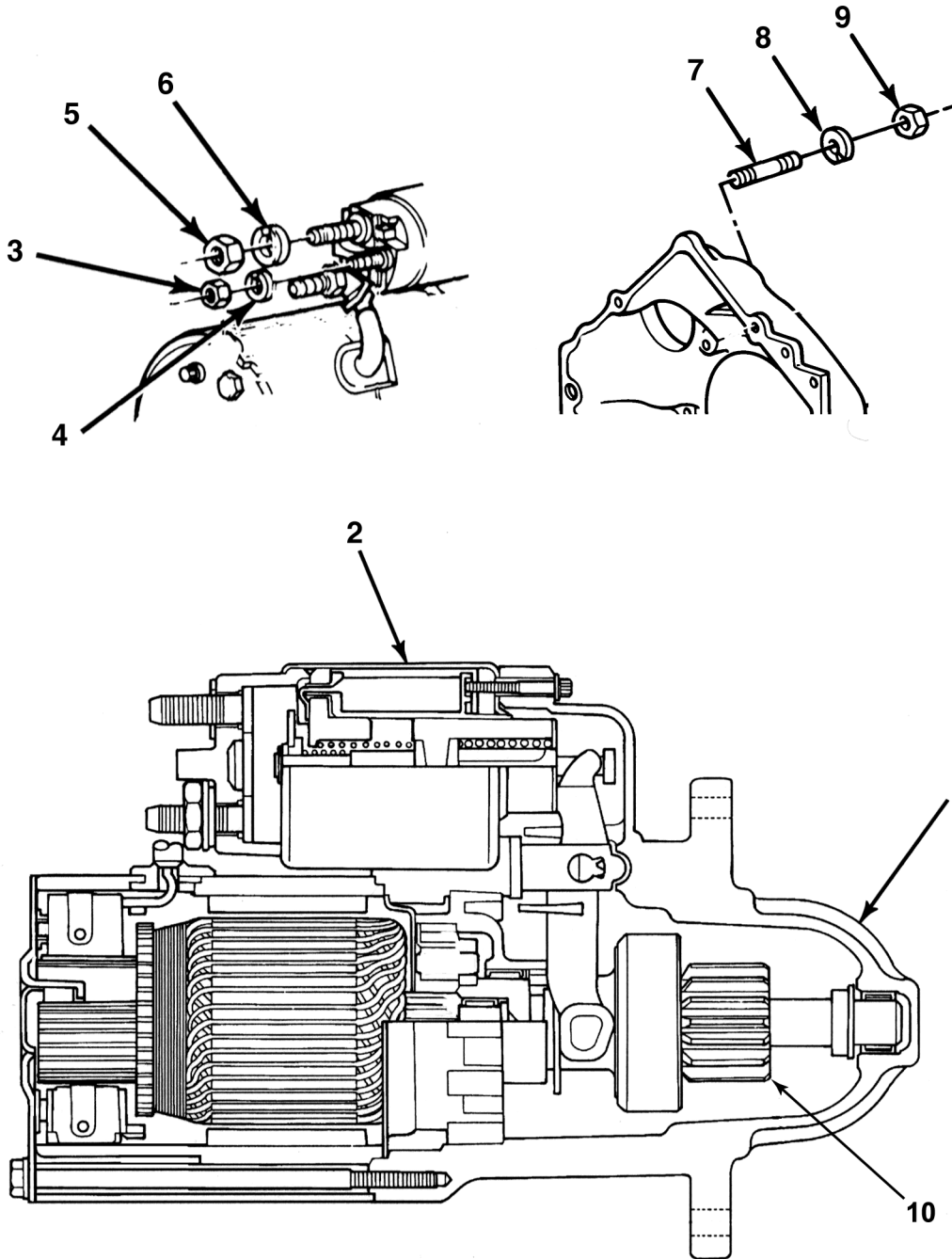
ALTERNATOR ASSEMBLY (MANDO) - FIGURE 14



ALTERNATOR ASSEMBLY (MANDO) - FIGURE 14

ITEM	PART NUMBER	DESCRIPTION	QUANTITY
1	39200	Alternator Assembly (55 AMP)	1
2	39223	Voltage Regulator Assembly	1
3	39203	Pulley, drive	1
		100 AMP Alternator Assembly	
		Part Number 39236	
		This alternator is only serviced as an assembly. Contact your dealer or local alternator rebuilder if service is needed.	

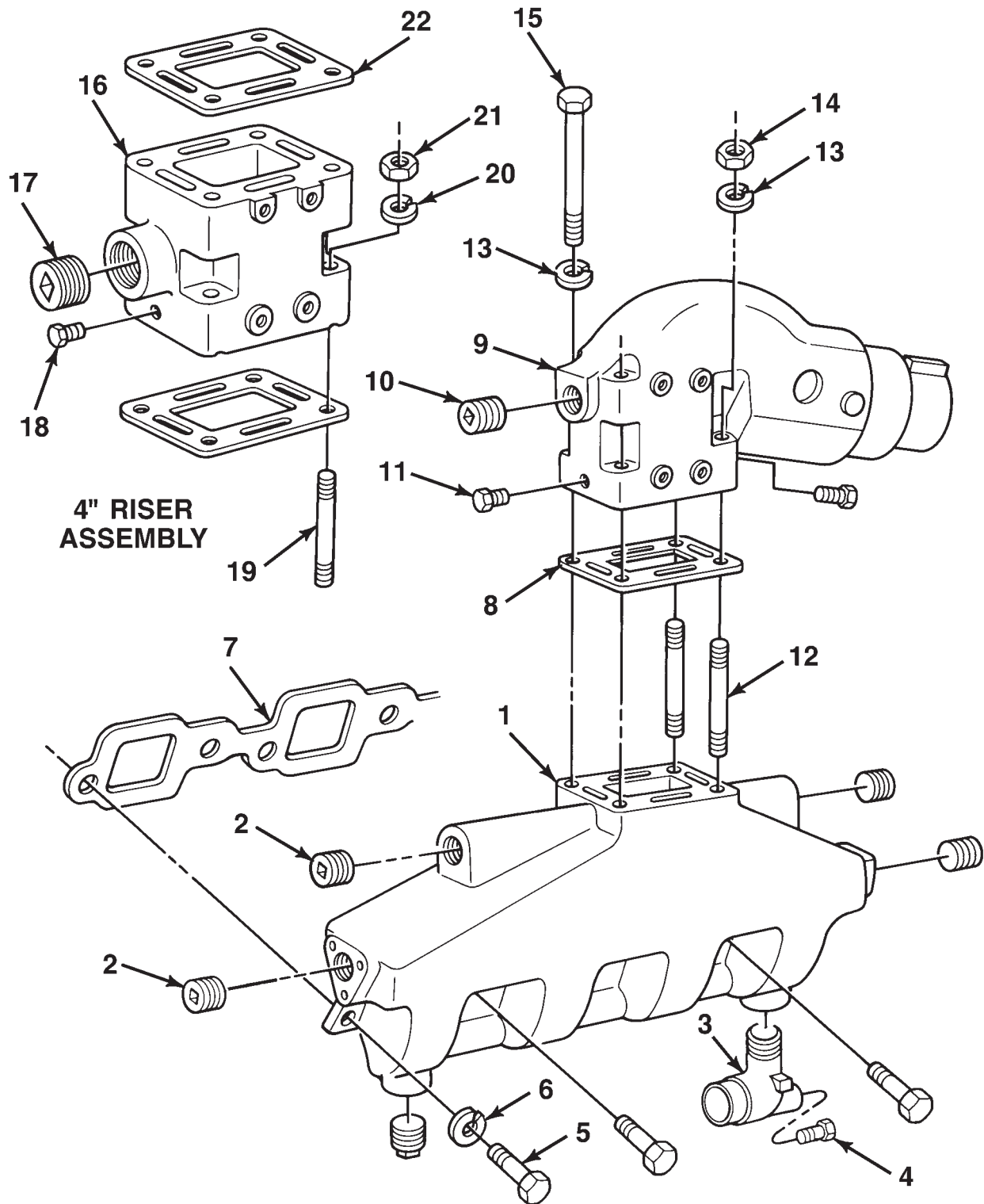
STARTER MOTOR COMPONENTS - FIGURE 15



STARTER MOTOR COMPONENTS - FIGURE 15

ITEM	PART NUMBER	DESCRIPTION	QUANTITY
1	RA122009	Starter Motor Assembly (starter up position)	1
2	RU0050	Solenoid , starter (old style)	1
2	RU0050A	Solenoid , starter (new style)	1
3	RS7036	Nut , solenoid terminal	1
4	93003000	Lockwasher , solenoid terminal	1
5	RS7019	Nut , solenoid terminal	1
6	TBD	Lockwasher , solenoid terminal	1
7	R031018	Stud , starter mounting	2
8	RS2181	Lockwasher , starter mounting	2
9	RS1029	Nut , starter mounting	2
10	RU0051	Drive , starter	1

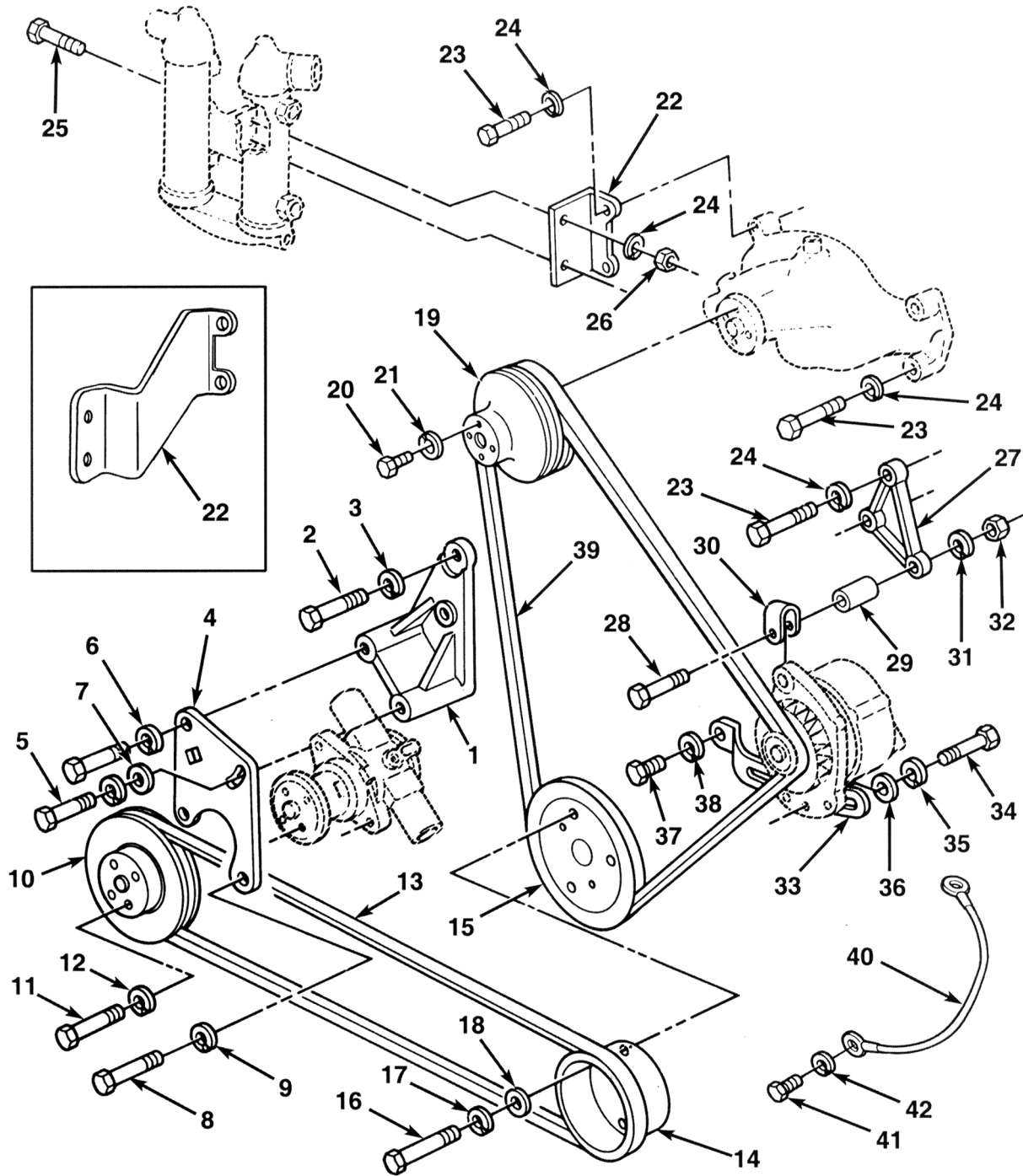
EXHAUST MANIFOLD ASSEMBLY - FIGURE 16



EXHAUST MANIFOLD ASSEMBLY - FIGURE 16

ITEM	PART NUMBER	DESCRIPTION	QUANTITY
1	98125	Exhaust Manifold	2
2	103876	Plug , exhaust manifold (1")	8
3	30624	Fitting , water elbow (900)	2
4	RS3552	Plug , drain	2
5	90348150	Bolt , manifold to cylinder head (1 -1 /2")	16
6	93300000	Lockwasher , manifold to head bolt	16
7	96653	Gasket , manifold to cylinder head H s n	2
8	98127	Gasket , manifold to exhaust elbow	2
9	98126	Exhaust Elbow Assembly (old style)	2
9	R029015	Exhaust Elbow Assembly (new style)	2
10	RS3533	Plug , exhaust elbow (3/4")	2
11	RS3554	Plug , drain	4
12	20827	Stud , exhaust elbow attaching (T)	4
13	93300000	Lockwasher , elbow attaching stud	8
14	95300000	Nut , elbow attaching stud	4
15	90305475	Bolt , exhaust elbow attaching (4-3/4")	4
*	22818	4-Inch Riser Kit	1
16	98128	Exhaust Riser	2
17	RS3533	Plug , exhaust riser (3/4")	2
18	RS3554	Plug , drain	4
19	20783	Stud , riser mounting (2-3/4")	8
20	93300000	Lockwasher , riser stud	8
21	95300000	Nut , riser mounting stud	8
22	98127	Gasket , riser mounting	4
* NOTE: See Fresh Water Cooling section for parts used on Fresh Water Cooled engines.			

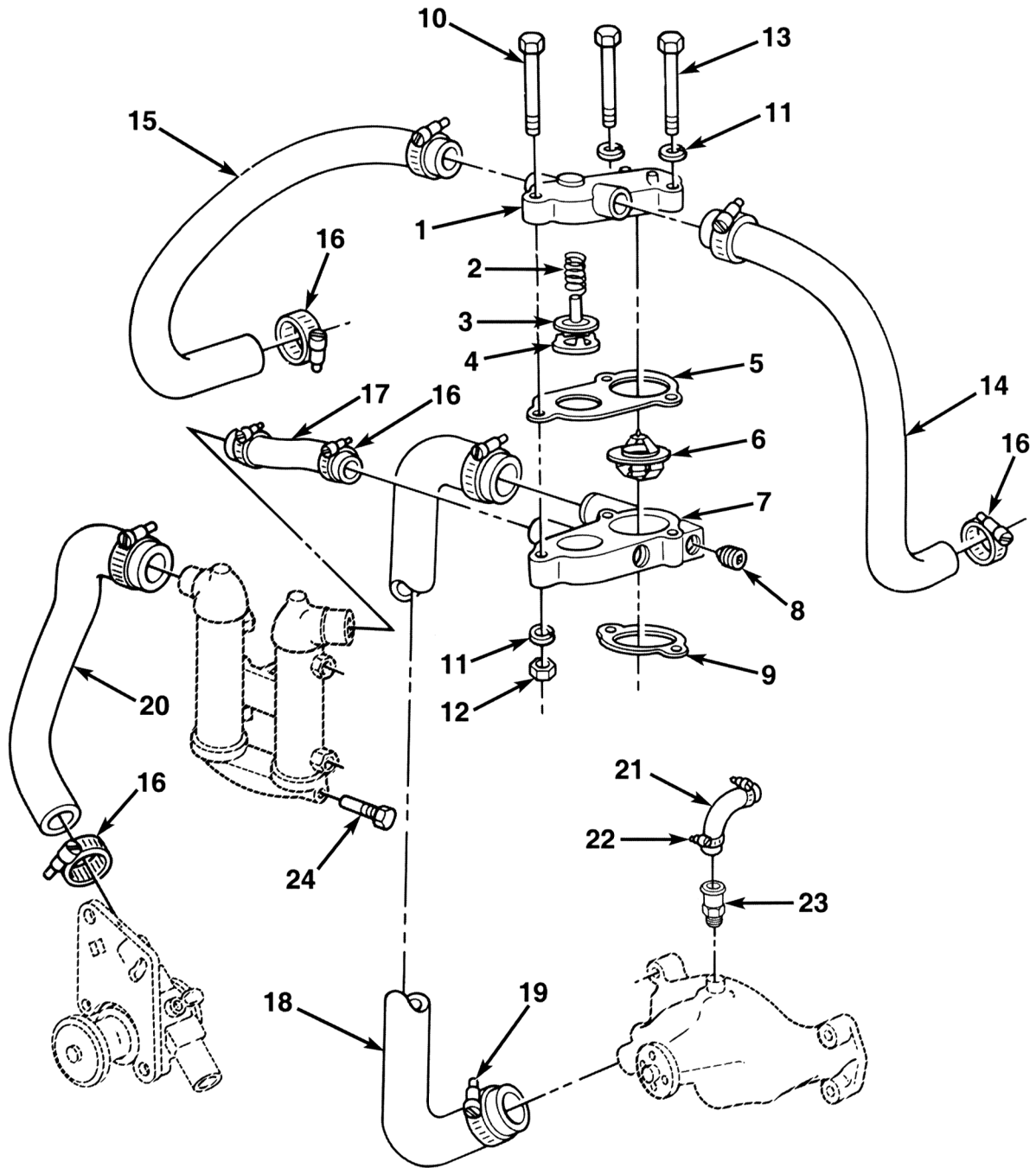
ACCESSORY DRIVE SYSTEM COMPONENTS - FIGURE 17



ACCESSORY DRIVE SYSTEM COMPONENTS - FIGURE 17

ITEM	PART NUMBER	DESCRIPTION	QUANTITY
1	98120	Bracket , raw water pump mounting	1
2	90405125	Bolt , bracket to cylinder block (1-1/4")	2
3	93400000	Lockwasher , mounting bolt	2
4	98121	Bracket , raw water pump adjusting	
5	90405125	Bolt , adjusting bracket mounting (1-1/4")	2
6	93400000	Lockwasher , adjusting bolt	2
7	92400000	Washer , adjusting bolt	1
8	90204100	Bolt , raw water pump mounting (1/2")	2
9	93200000	Lockwasher , pump mounting bolt	2
10	R065047	Pulley , raw water pump	1
11	90215075	Bolt , pulley attaching (3/4")	4
12	93200000	Lockwasher , attaching bolt	4
13	10258	Belt , raw water drive	1
14	97950	Pulley , crankshaft to raw water pump	1
15	97954	Pulley , crankshaft to alternator	1
16	90315175	Bolt , pulley to balancer (1-3/4")	3
17	93300000	Lockwasher , pulley attaching bolt	3
18	92300000	Washer , pulley attaching bolt	3
19	R065049	Pulley , engine circulating pump	1
20	90215075	Bolt , water pump pulley (3/4")	4
21	93200000	Lockwasher , water pump pulley bolt	4
22	97937	Bracket , oil cooler mounting	1
22	98637	Bracket , oil cooler mounting (front mounted FWC only)	1
23	90405200	Bolt , attaching (2")	5
24	93400000	Lockwasher , attaching bolt	7
25	90305100	Bolt , oil cooler mounting (1")	2
26	95300000	Nut , cooler mounting bolt	2
27	98333	Bracket , alternator mounting	1
28	90505325	Bolt , alternator attaching (3-1/4") (55 amp)	1
28	TBD	Bolt , alternator attaching (3-1/4") (100 amp)	1
29	98515	Spacer , alternator mounting (100 amp only)	1
30	98184	Loop , alternator adjusting	1
31	93500000	Lockwasher , attaching bolt	1
32	95500000	Nut , attaching bolt	1
33	98209	Strap , alternator adjusting (55 amp)	1
33	98519	Strap , alternator adjusting (100 amp)	1
34	90205100	Bolt , alternator adjusting (1")	1
35	93200000	Lockwasher , alternator adjusting bolt	1
36	92200020	Washer , alternator adjusting bolt	1
37	90405100	Bolt , adjusting strap to block (1")	1
38	93400000	Lockwasher , adjusting strap bolt	1
39	98210	Belt , alternator drive	1
40	98391	Cable , alternator grounding (100 amp only)	1
41	90205063	Bolt , cable attaching (100 amp only)	1
42	93200000	Lockwasher , attaching bolt (100 amp only)	1

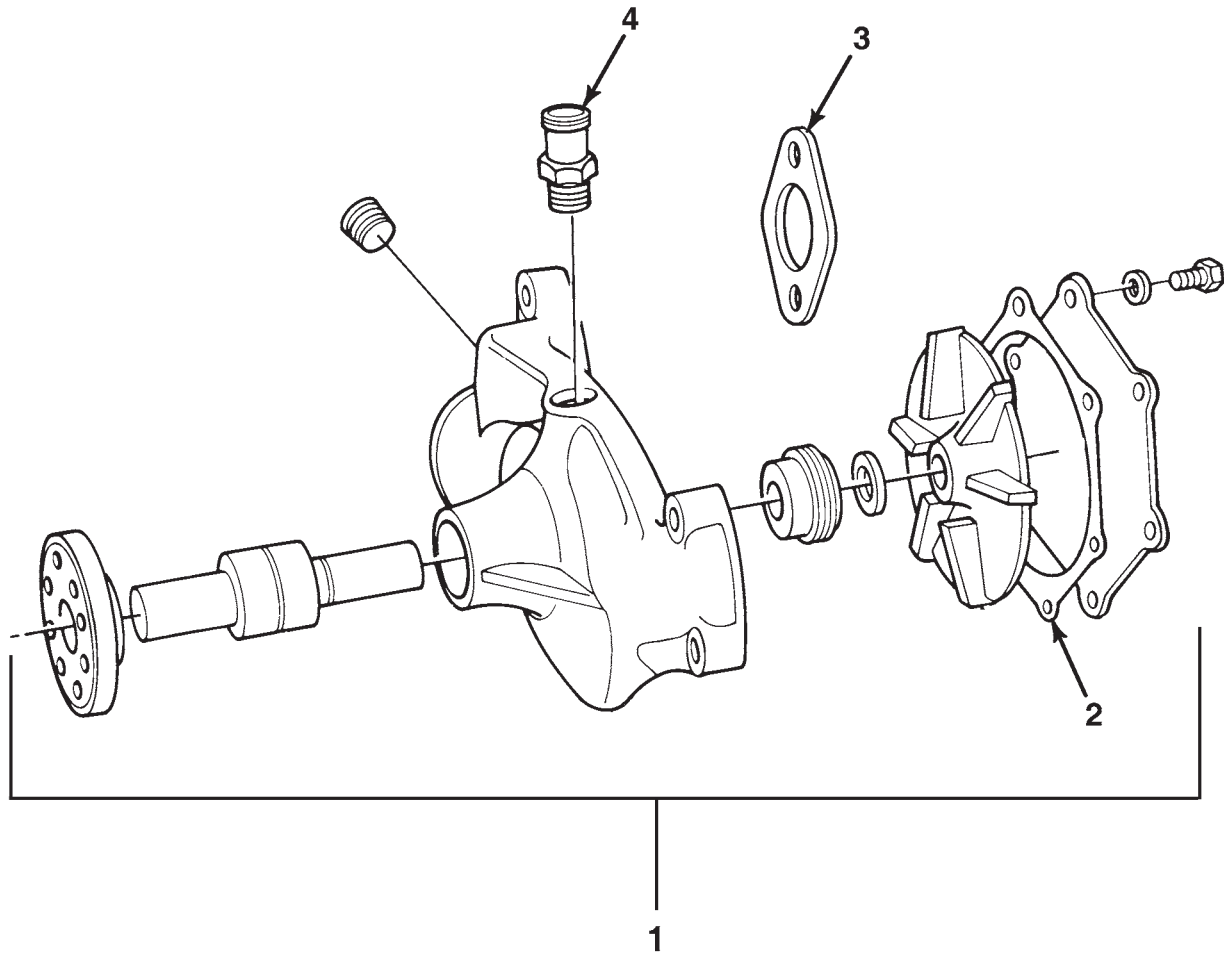
RAW WATER COOLING COMPONENTS - FIGURE 18



RAW WATER COOLING COMPONENTS - FIGURE 18

ITEM	PART NUMBER	DESCRIPTION	QUANTITY
*	22366	Thermostat Housing Assembly , Complete	1
1	97556	Thermostat Housing , upper	1
2	96686	Spring , pressure relief	1
3	96066	Valve , pressure relief	1
4	96065	Seat , pressure relief	1
5	97361	Gasket , thermostat housing	1
6	R026002E	Thermostat (143-degree)	1
7	98552	Thermostat Housing , lower	1
8	444705	Plug , thermostat housing	1
9	RM0121	Gasket , thermostat housing	1
10	90305350	Bolt , thermostat housing (3-1/2")	1
11	93300000	Lockwasher , thermostat housing bolt	3
12	95300000	Nut , thermostat housing bolt	1
13	90305400	Bolt , thermostat housing to intake (4")	2
14	18327	Hose , thermostat housing to LH manifold	1
15	18317	Hose , thermostat housing to RH manifold	1
16	RS3858	Clamp , water hose	8
17	97861	Hose , oil cooler to thermostat housing	1
18	18302	Hose , water pump to thermostat housing	1
19	RS3855	Clamp , hose	2
20	18300	Hose , water pump to oil cooler	1
21	R045116	Hose , block water bypass	1
22	RS3854	Clamp , bypass hose	2
23	7140280	Fitting , water pump bypass	2
24	R168005	Zinc , sacrificial	1

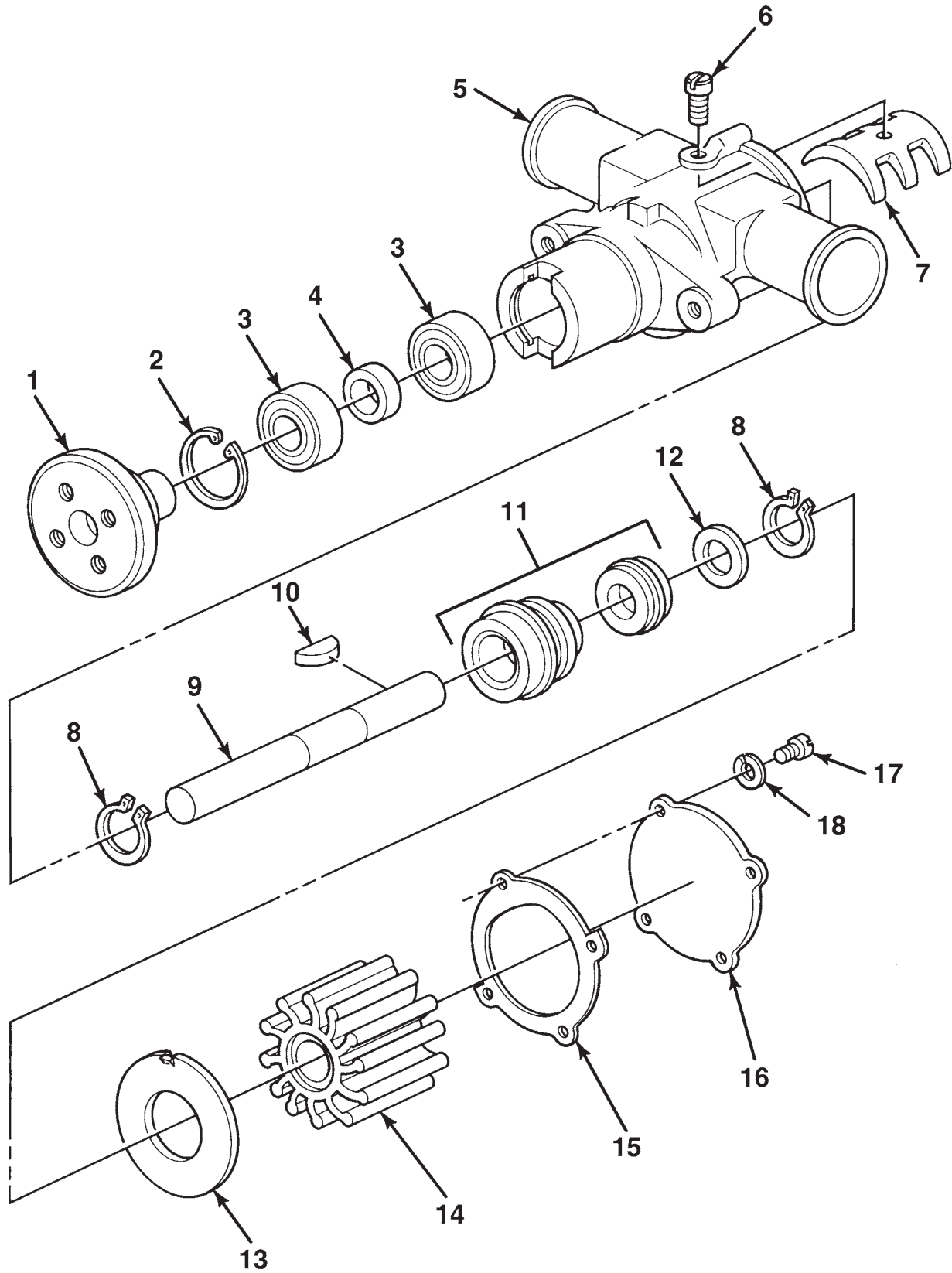
ENGINE WATER CIRCULATING PUMP - FIGURE 19



ENGINE WATER CIRCULATING PUMP - FIGURE 19

ITEM	PART NUMBER	DESCRIPTION	QUANTITY
1	RA057019	Water Pump Assembly	1
2	96774	Gasket , impeller housing cover	1
3	RM0204	Gasket , water pump to cylinder block H	2
4	7140280	Fitting , water bypass hose	1

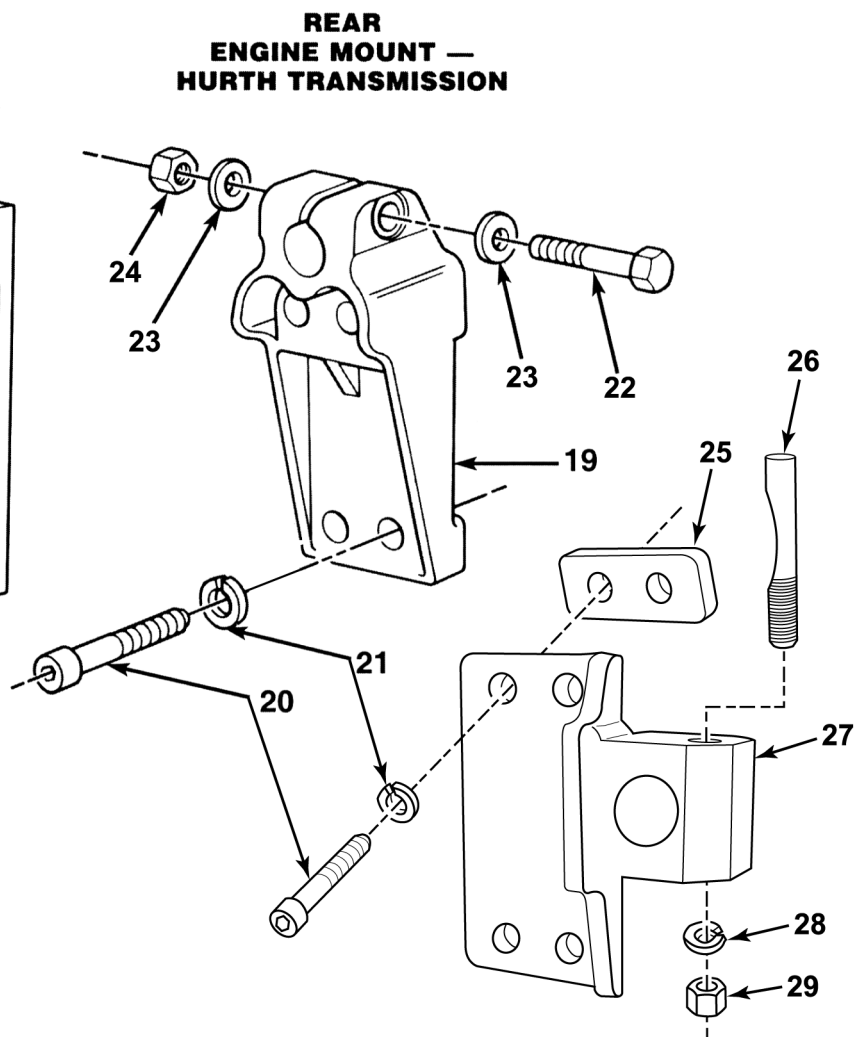
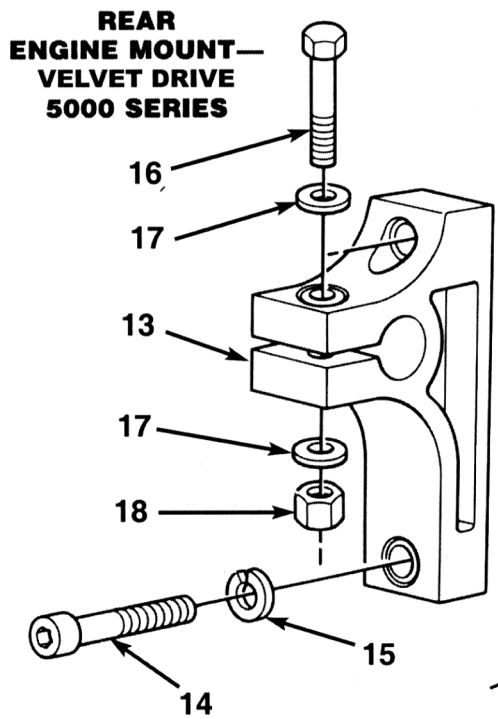
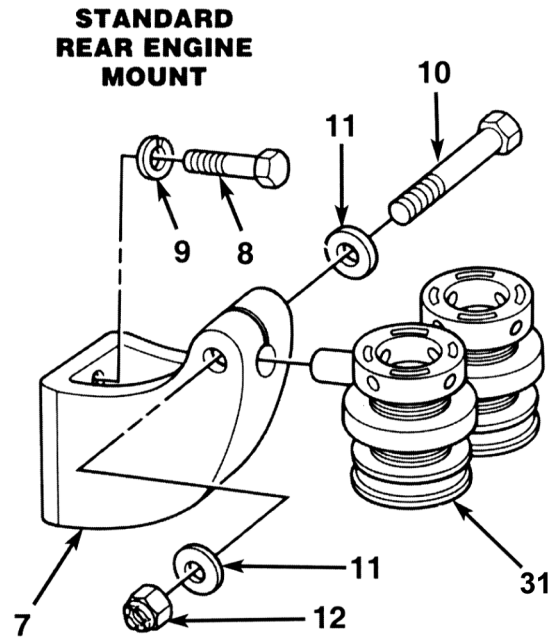
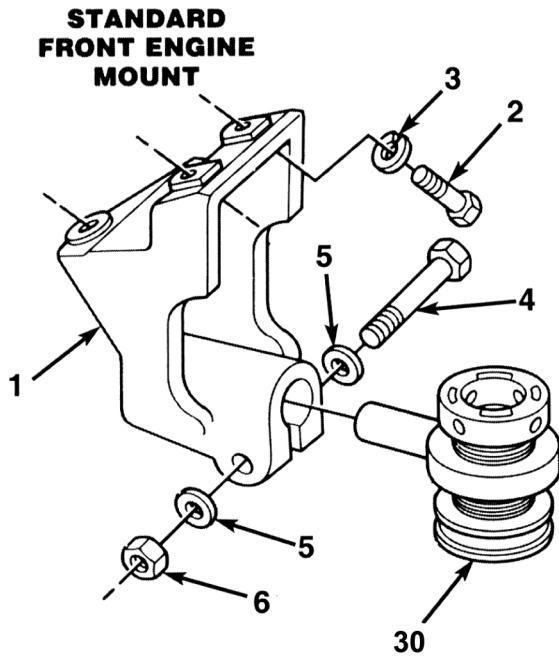
RAW WATER COOLING PUMP - FIGURE 20



RAW WATER COOLING PUMP - FIGURE 20

ITEM	PART NUMBER	DESCRIPTION	QUANTITY
*	RA057031	Raw Water Pump Assembly	1
1	97176	Hub, drive	1
2	R048070	Retainer, bearing	1
3	40054	Bearing, shaft	2
4	R062030	Spacer, bearing	1
5	40062	Housing, water pump	1
6	R175042	Screw, cam retaining	1
7	R161014	Cam, eccentric	1
8	R048069	Retainer, shaft	2
9	40061	Shaft Assembly	1
10	R164014	Key, impeller drive	1
11	RK047112	Seal and Seat Assembly	1
12	40052	Washer	1
13	40063	Plate, wear	1
14	R061017	Impeller, water pump	1
15	RM0269	Gasket, rear cover	1
16	40060	Cover	1
17	40071	Bolt, rear cover attaching	4
18	40051	Lockwasher, cover bolt	4
		Repair Kits:	
	Kit Part No.	Description	
	40065	Impeller Kit (Includes items 14 and 15)	
	40064	Overhaul Kit, Major (includes items 2, 3, 11, 14 and 15)	

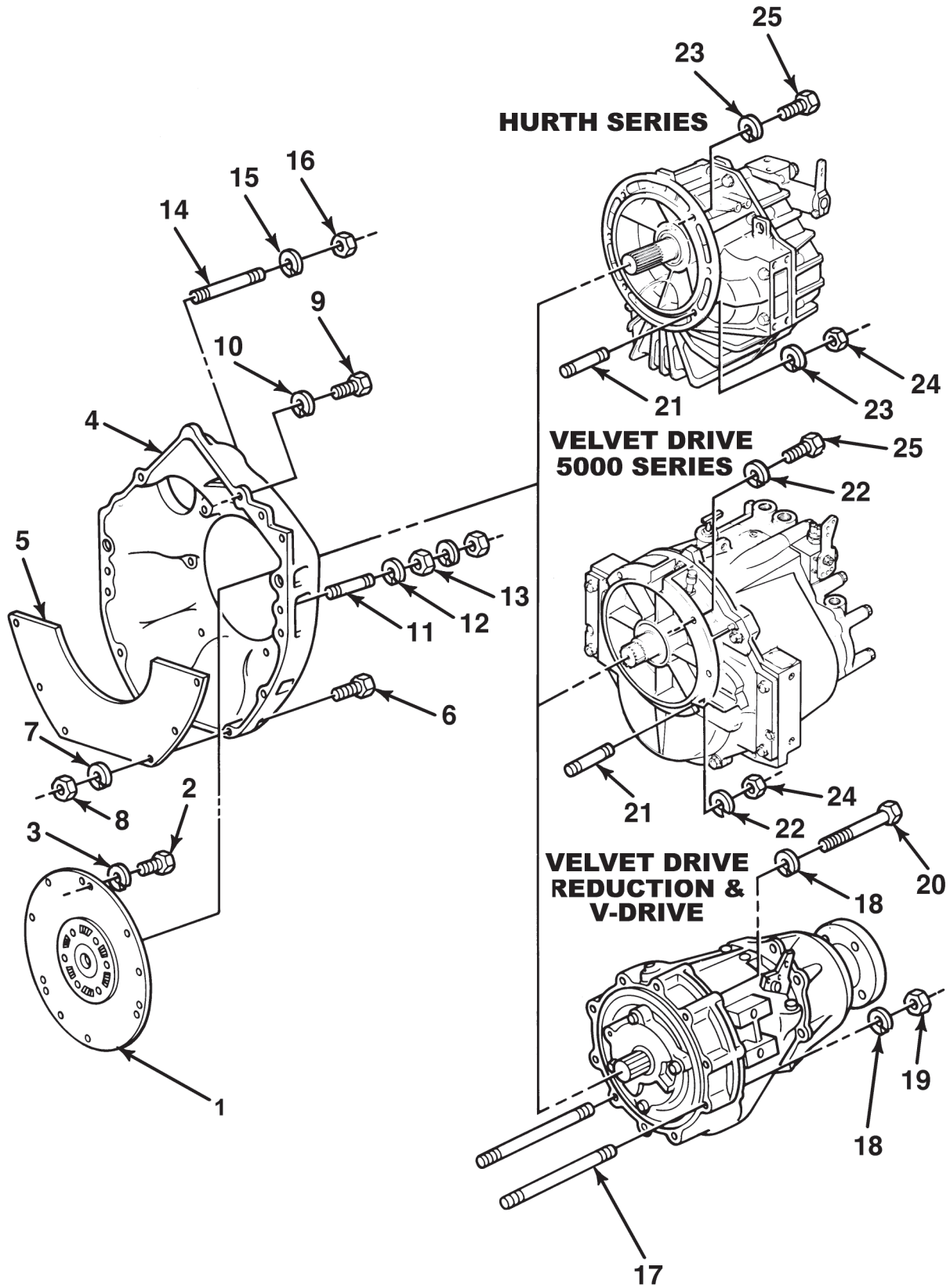
ENGINE and TRANSMISSION MOUNTS - FIGURE 21



ENGINE and TRANSMISSION MOUNTS - FIGURE 21

ITEM	PART NUMBER	DESCRIPTION	QUANTITY
		Standard Front Engine Mount	
1	97938	Bracket , engine mounting (front)	2
2	99443030	Bolt , socket head (30 mm)	4
2	98446030	Bolt , hex head (30 mm)	2
3	93940000	Lockwasher , bracket mounting bolt	6
4	90318225	Bolt , trunnion shaft (2 1/4")	2
5	92300000	Washer , trunnion bolt	4
6	95310300	Nut , trunnion bolt - locking	2
		Standard Rear Engine Mount	
7	97917	Bracket , engine mounting (Rear)	2
8	90405125	Bolt , bracket to transmission (1 1/4")	4
9	93400000	Lockwasher , bracket mounting bolt	4
10	90318325	Bolt , trunnion shaft (3 1/4")	2
11	92300000	Washer , trunnion bolt	4
12	95310300	Nut , trunnion bolt - locking	2
		Rear Engine Mount - Velvet Drive 5000 Series	
13	98224	Bracket , transmission mounting (Starboard)	1
13	98225	Bracket , transmission mounting (Port)	1
14	99559060	Bolt , bracket to transmission (12 mm x 60 mm)	4
15	93950030	Lockwasher (12 mm)	4
16	90318325	Bolt , trunnion shaft (3 1/4")	2
17	92300000	Washer , trunnion bolt	4
18	95310300	Nut , trunnion bolt - locking	2
		Rear Engine Mount - Hurth Transmission	
19	98077	Bracket , engine mounting (rear)	2
20	98553035	Bolt , bracket to transmission (12 mm x 35 mm)	4
20	99559060	Bolt , bracket to transmission (12 mm x 60 mm)	4
21	93950000	Lockwasher (12 mm)	8
22	90318325	Bolt , trunnion shaft (3 1/4")	2
23	92300000	Washer , trunnion bolt	4
24	95310300	Nut , trunnion bolt - locking	2
25	R109049	Spacer , bracket to transmission	2
26	R095020	Bolt , trunnion shaft	2
27	R090217	Bracket , engine mounting (port)	1
27	R090218	Bracket , engine mounting (starboard)	1
28	RS2181	Lockwasher , trunnion bolt	2
29	RS1529	Nut , trunnion bolt - locking	2
		Mount Supports	
30	97926	Mount , engine support (single front)	2
31	97905	Mount , engine support (dual rear)	2

BELL HOUSING ASSEMBLY - FIGURE 22



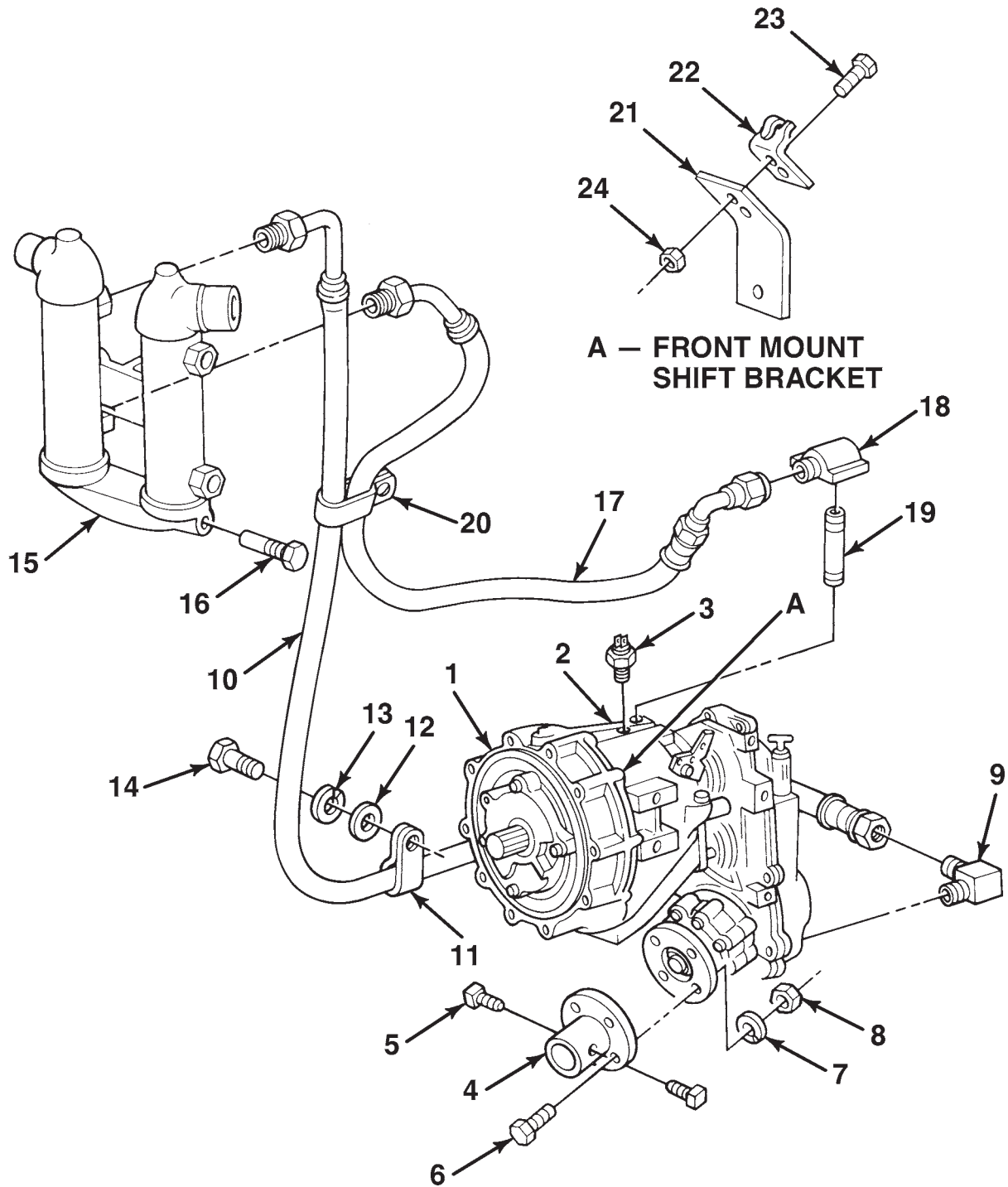
BELL HOUSING ASSEMBLY - FIGURE 22

ITEM	PART NUMBER	DESCRIPTION	QUANTITY
1	98298	Drive Damper Assembly (Hurth and 5000 series only)	1
1	97334	Drive Damper Assembly (Standard Velvet Drive)	1
2	R009092	Bolt , damper to flywheel (1")	6
3	RS2180	Lockwasher , damper bolt	6
4	98430	Bellhousing , flywheel	1
5	98015	Cover , bellhousing	1
6	90105125	Bolt , cover to bellhousing (1-1/4")	6
7	93100000	Lockwasher , cover bolt	6
8	95100000	Nut , cover bolt	6
9	90305125	Bolt , bellhousing to block (1-1/4")	2
10	93300000	Lockwasher , bellhousing bolt	2
11	22455	Stud , bellhousing mounting (2-3/4")	2
12	93300000	Lockwasher , mounting stud	4
13	95300000	Nut , mounting stud	4
14	R031018	Stud , starter mounting (1-5/8")	2
15	93400000	Lockwasher , starter mounting stud	2
16	95400001	Nut , starter mounting stud	2
		** Velvet Drive Reduction & "V"-Drive **	
17	96541	Stud , transmission mounting (4")	2
18	93400200	Lockwasher , transmission mounting	6
19	95300000	Nut , transmission mounting stud	2
20	90405350	Bolt , transmission mounting	4
		** Velvet Drive 5000 & Hurth Gears **	
21	R031018	Stud , transmission mounting (1-5/8")	2
22	93400000	Lockwasher , transmission mounting	6
23	93400200	Lockwasher , transmission mounting	6
24	95400001	Nut , transmission mounting stud	2
25	90405125	Bolt , transmission mounting	4

TRANSMISSION AND RELATED COMPONENTS (VELVET DRIVE IN-LINE) - FIGURE 23

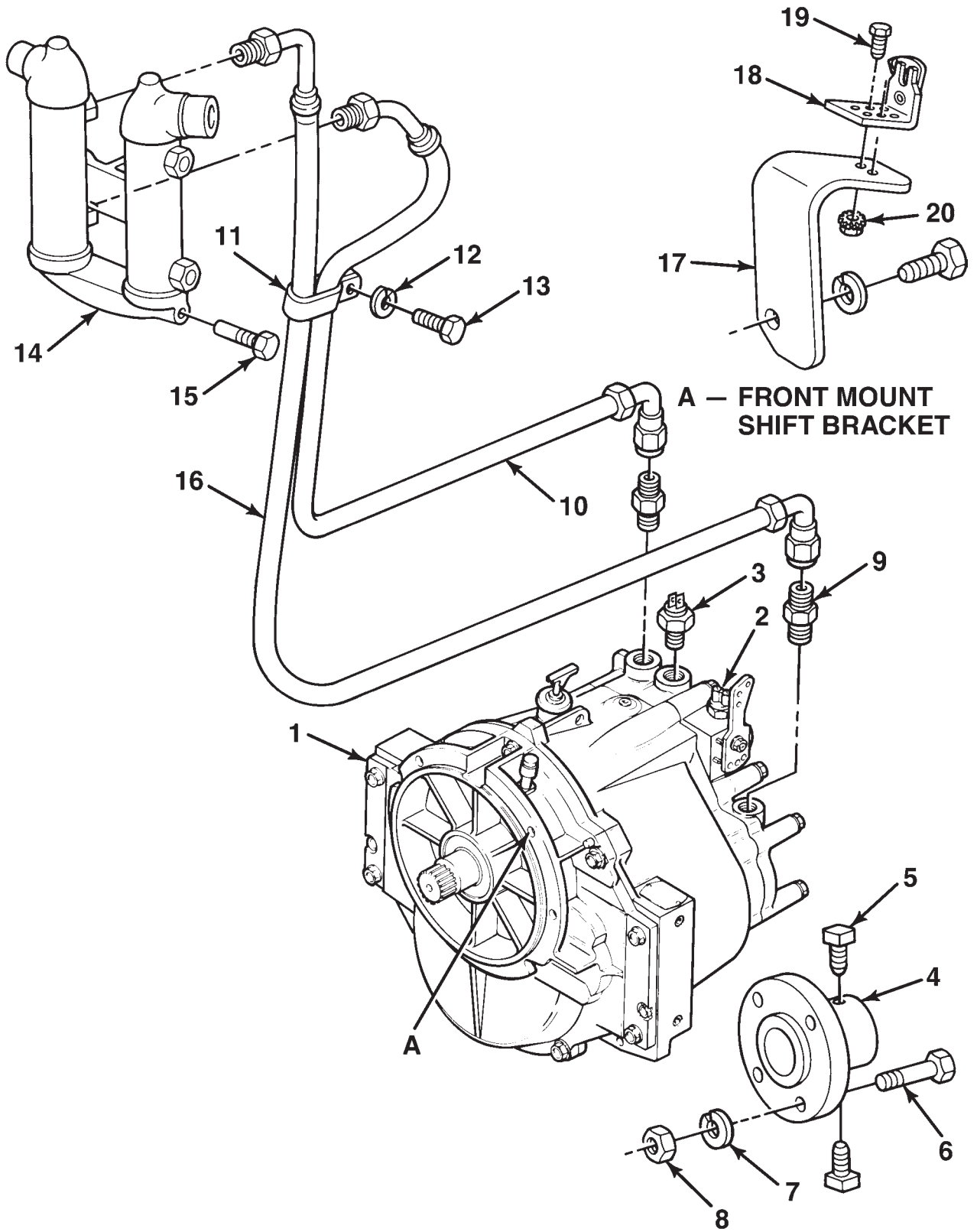
ITEM	PART NUMBER	DESCRIPTION	QUANTITY
1	RA157003	Transmission (1:1 Direct Drive)	1
1	RA157004	Transmission (1.52:1 Reduction)	1
1	RA157004A	Transmission (1.88:1 Reduction)	1
1	RA157004D	Transmission (2.57:1 Reduction)	1
1	RA157004E	Transmission (2.91:1 Reduction)	1
2	R153002	Switch Kit , neutral start	1
2A	25542	Switch & O-Ring Assembly (Not Shown)	1
3	R020037	Sender , temperature alarm	1
4	R148001	Coupler , prop shaft (1" shaft)	OPT
4	R148002	Coupler , prop shaft (1-1/8" shaft)	OPT
4	R148003	Coupler , prop shaft (1-1/4" shaft)	OPT
4	R148004	Coupler , prop shaft (1-3/8" shaft)	OPT
4	R148005	Coupler , prop shaft (1-1/2" shaft)	OPT
4	R148007	Coupler , prop shaft (1-3/4" shaft)	OPT
4	R148008	Coupler , prop shaft (2" shaft)	OPT
5	2000090	Screw , set – coupler	2
6	22136	Bolt , coupling (1-1/2")	4
7	93400000	Lockwasher , coupling bolt	4
8	95410201	Nut , coupling bolt	4
9	R024010	Elbow , hose – transmission (90-degree)	1
10	18200	Hose Assembly , transmission to cooler (45")	1
11	98123	Oil Cooler Assembly (RWC only)	1
11	98570	Oil Cooler Assembly (FWC only)	1
12	R168005	Zinc , sacrificial	1
13	18201	Hose Assembly , transmission to cooler (46")	1
14	R024008	Elbow , hose – transmission (90-degree)	1
15	RS4674	Nipple , pipe (3")	1
16	96341	Shift Bracket (Front Entry)	1
17	97471	Shift Bracket (Rear Entry)	OPT
18	R090086	Cable Clip , single cable	1
18A	22232	Cable Clip , dual cable kit	OPT
19	91000050	Bolt , clip attaching (1/2")	2
20	95000060	Nut , attaching bolt	2
21	22112	Clamp , oil hose mounting	2

TRANSMISSION AND RELATED COMPONENTS (VELVET DRIVE "V"-DRIVE) - FIGURE 24



TRANSMISSION AND RELATED COMPONENTS (VELVET DRIVE "V"-DRIVE) - FIGURE 24

ITEM	PART NUMBER	DESCRIPTION	QUANTITY
1	RA156002B	Transmission (1.51:1 Reduction)	1
1	RA156002D	Transmission (1.99:1 Reduction)	1
1	RA156002E	Transmission (2.49:1 Reduction)	1
2	R153002	Switch Kit, neutral start (Not Shown)	1
2A	25542	Switch & O-Ring Assembly (Not Shown)	1
3	R020037	Sender, temperature alarm	1
4	R148001	Coupler, prop shaft (1" shaft)	OPT
4	R148002	Coupler, prop shaft (1-1/8" shaft)	OPT
4	R1480034	Coupler, prop shaft (1-1/4" shaft)	OPT
4	R148004	Coupler, prop shaft (1-3/8" shaft)	OPT
4	R148005	Coupler, prop shaft (1-1/2" shaft)	OPT
4	R148007	Coupler, prop shaft (1-3/4" shaft)	OPT
4	R148008	Coupler, prop shaft (2" shaft)	OPT
5	2000090	Screw, set – coupler	2
6	22136	Bolt, coupling (1-1/2")	4
7	93400000	Lockwasher, coupling bolt	4
8	95410201	Nut, coupling bolt	4
9	R024010	Elbow, hose – transmission (90-degree)	1
10	18202	Hose Assembly, transmission to cooler (60")	1
11	20247	Clamp, oil line retaining	1
12	92300200	Washer, retaining clamp bolt	1
13	93200000	Lockwasher, retaining clamp bolt	1
14	90405100	Bolt, retaining clamp	1
15	98123	Oil Cooler Assembly (RWC only)	1
15	98570	Oil Cooler Assembly (FWC only)	1
16	R168005	Zinc, sacrificial	1
17	18201	Hose Assembly, transmission to cooler (46")	1
18	R024008	Elbow, hose – transmission (90-degree)	1
19	RS467	Nipple, pipe (3")	1
20	22112	Clamp, oil line retaining	2
21	96341	Shift Bracket (Front Entry)	1
22	R090086	Cable Clip, single cable	1
22A	22232	Cable Clip, dual cable kit	OPT
23	91000050	Bolt, clip attaching (1/2")	2
24	95000060	Nut, attaching bolt	2



TRANSMISSION AND RELATED COMPONENTS (VELVET DRIVE 5000) - FIGURE 25

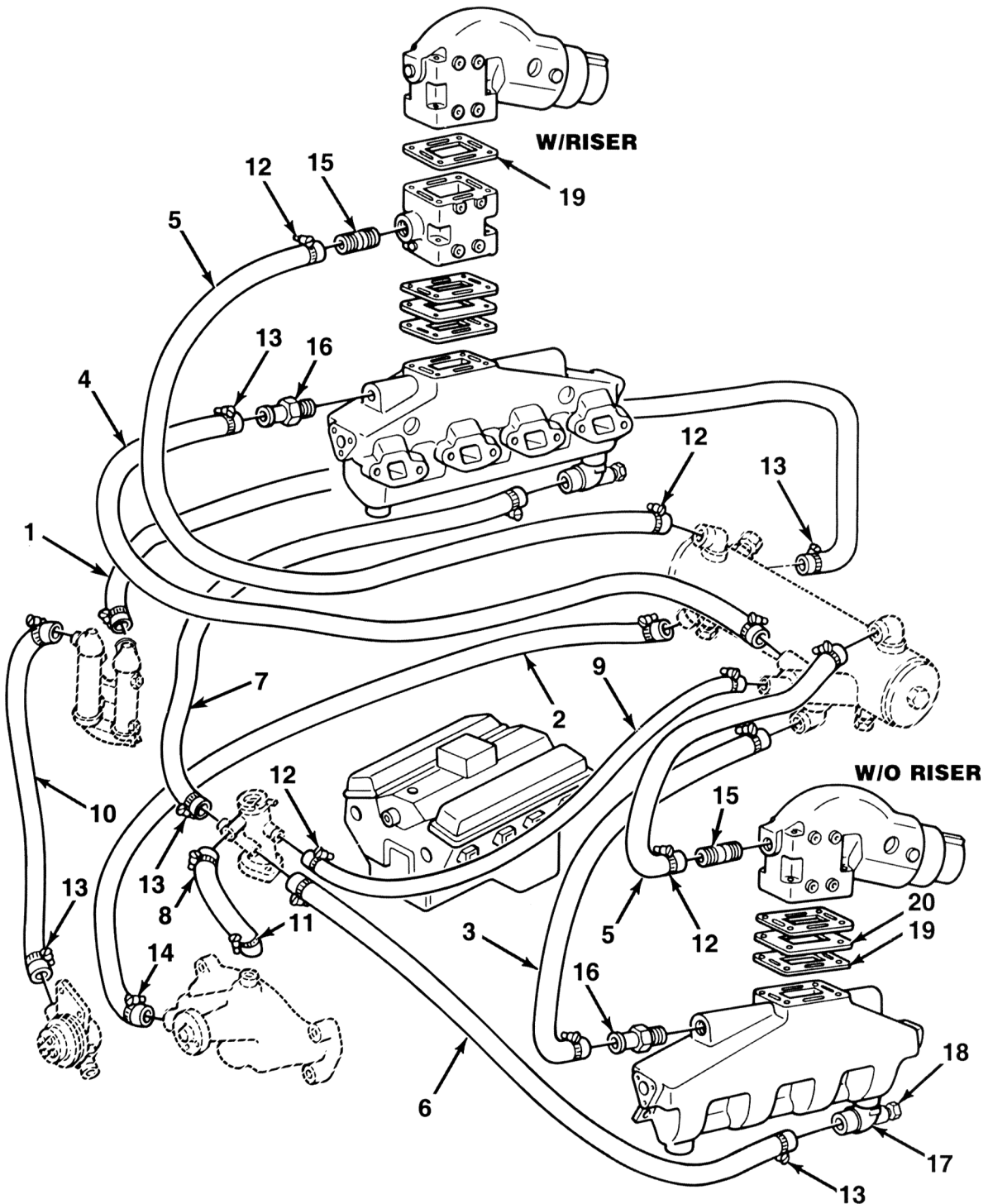
ITEM	PART NUMBER	DESCRIPTION	QUANTITY
1	RA157020B	Transmission (1.50:1 Reduction) Down Angle	1
1	RA157020C	Transmission (2.00:1 Reduction) Down Angle	1
1	RA157020D	Transmission (2.45:1 Reduction) Down Angle	1
1	RA157020E	Transmission (2.80:1 Reduction) Down Angle	1
1	RA156008	Transmission (1.25:1 Reduction) V-Drive	1
1	RA156008A	Transmission (1.50:1 Reduction) V-Drive	1
1	RA156008B	Transmission (2.00:1 Reduction) V-Drive	1
1	RA156008C	Transmission (2.50:1 Reduction) V-Drive	1
2	25542	Switch , neutral start	1
3	R020037	Sender , temperature alarm	1
4	R148001	Coupler , prop shaft (1" shaft)	OPT
4	R148002	Coupler , prop shaft (1-1/8" shaft)	OPT
4	R148003	Coupler , prop shaft (1-1/4" shaft)	OPT
4	R148004	Coupler , prop shaft (1-3/8" shaft)	OPT
4	R148005	Coupler , prop shaft (1-1/2" shaft)	OPT
4	R148007	Coupler , prop shaft (1-3/4" shaft)	OPT
4	R148008	Coupler , prop shaft (2" shaft)	OPT
5	2000090	Screw , set – coupler	2
6	22136	Bolt , coupling (1-1/2")	4
7	93400000	Lockwasher , coupling bolt	4
8	95410201	Nut , coupling bolt	4
9	30603	Fitting , hose	2
10	18203	Hose Assembly , transmission to cooler (50-1/2")	1
11	22112	Clamp , oil line retaining	2
12	93300000	Lockwasher , retaining clamp bolt	1
13	90345125	Bolt , retaining clamp	1
11	98123	Oil Cooler Assembly (RWC only)	1
14	98570	Oil Cooler Assembly (FWC only)	1
15	R168005	Zinc , sacrificial	1
16	18204	Hose Assembly , transmission to cooler (63")	1
17	98227	Shift Bracket (Front Entry)	1
18	R090086	Cable Clip , single cable	1
18	22232	Cable Clip , dual cable kit	OPT
19	91000050	Bolt , clip attaching (1/2")	2
20	95000060	Nut , attaching bolt	2

TRANSMISSION AND RELATED COMPONENTS (HURTH GEAR) - FIGURE 26

ITEM	PART NUMBER	DESCRIPTION	QUANTITY
1	RA157022	Transmission 630A (1.22:1 Reduction)	1
1	RA157022A	Transmission 630A (1.55:1 Reduction)	1
1	RA157022B	Transmission 630A (2.00:1 Reduction)	1
1	RA157022C	Transmission 630A (2.50:1 Reduction)	1
1	RA157022D	Transmission 630A (2.70:1 Reduction)	1
1	RA156009	Transmission 630V (1.29:1 Reduction)	1
1	RA156009A	Transmission 630V (1.50:1 Reduction)	1
1	RA156009B	Transmission 630V (2.00:1 Reduction)	1
1	RA156009C	Transmission 630V (2.50:1 Reduction)	1
2	25542	Switch Kit , neutral start (not shown)	1
3	R020037	Sender , temperature alarm	1
4	R148001	Coupler , propeller shaft (1" shaft)	OPT
4	R148002	Coupler , propeller shaft (1-1/8" shaft)	OPT
4	R148003	Coupler , propeller shaft (1-1/4" shaft)	OPT
4	R148004	Coupler , propeller shaft (1-3/8" shaft)	OPT
4	R148005	Coupler , propeller shaft (1-1/2" shaft)	OPT
4	R148007	Coupler , propeller shaft (1-3/4" shaft)	OPT
4	R148008	Coupler , propeller shaft (2" shaft)	OPT
5	2000090	Screw , set - coupler (1-1/4")	2
6	90418138	Bolt , coupling (1-3/8")	4
7	93400000	Lockwasher , coupling bolt	4
8	95410201	Nut , coupling bolt	4
9	30603	Fitting , transmission	2
10	18203	Hose Assembly , transmission to cooler (50-1/2")	1
11	22112	Clamp , oil line retaining	2
12	93300000	Lockwasher , retaining clamp bolt	1
13	90345125	Bolt , retaining clamp	1
14	98123	Oil Cooler Assembly (RWC Only)	1
14	98570	Oil Cooler Assembly (FWC only)	1
15	R168005	Zinc , sacrificial	1
16	18204	Hose Assembly , transmission to cooler (63")	1
17	98212	Shift Bracket (Front Entry)	1
18	TBD	Bolt , attaching	2
19	93200000	Lockwasher , attaching bolt	2
20	R090086	Cable Clip , single cable	1
20	22232	Cable Clip , dual cable kit	OPT
21	91000050	Bolt , clip attaching (1/2")	2
22	95000060	Nut , attaching bolt	2
23	R090202	Shift Bracket , cable clip attaching	1
24	RS0282	Bolt , shift bracket attaching	2
25	RS6529	Bolt , shift bracket attaching	2
26	93930000	Lockwasher , shift bracket attaching bolt	2
27	R090235	Bracket , shift	1
28	RS2674	Washer , shift bracket attaching bolt	2
29	RS2179	Lockwasher , attaching bolt	2
30	RS1027	Nut , shift bracket attaching bolt	2

FRESH WATER COOLING COMPONENTS 1 (REAR MOUNTED EXCHANGER) - FIGURE 27

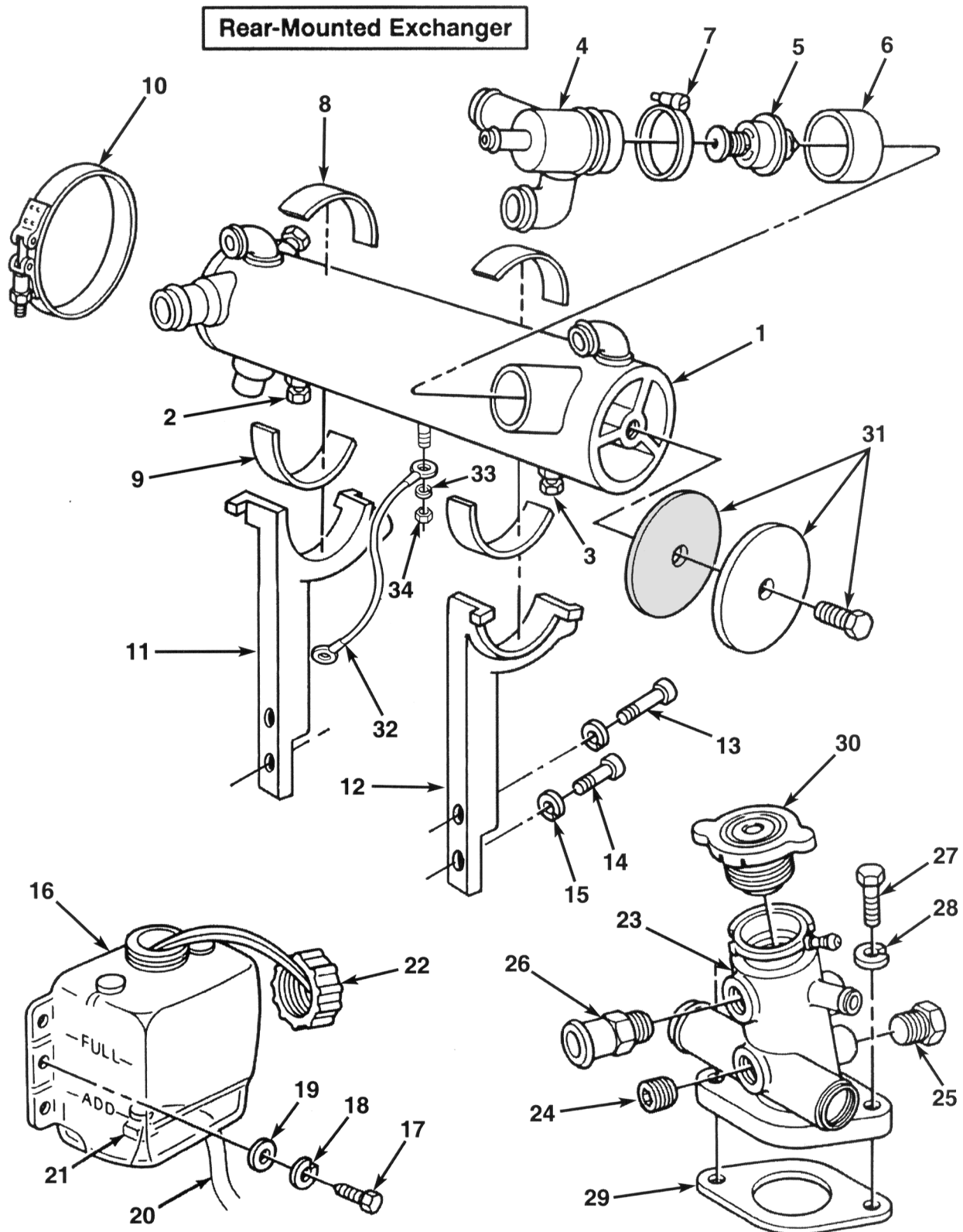
Rear-Mounted Exchanger



FRESH WATER COOLING COMPONENTS 1 (REAR MOUNTED EXCHANGER) - FIGURE 27

ITEM	PART NUMBER	DESCRIPTION	QUANTITY
1	18368	Hose , oil cooler to exchanger	1
2	18306	Hose , circulation pump to exchanger	1
3	18307	Hose , thermostat housing to manifold (LH)	1
4	18369	Hose , thermostat housing to manifold (RH)	1
5	18309	Hose , exchanger to exhaust elbow (STD)	2
5	18370	Hose , exchanger to exhaust elbow (STD)	2
5	18311	Hose , exchanger to exhaust elbow ("V"-Drive)	2
6	18327	Hose , fill riser to manifold (Port)	1
7	18317	Hose , fill riser to manifold (Starboard)	1
8	18383	Hose , fill riser to circulation pump	1
9	18343	Hose , bypass - thermostat to fill riser	1
10	18300	Hose , raw water pump to oil cooler	1
11	RS3854	Clamp , hose (#12)	2
12	RS3851	Clamp , hose (#16)	4
13	RS3858	Clamp , hose (#20)	12
14	RS3855	Clamp , hose (#32)	2
15	97911	Fitting , exhaust elbow (1 " hose)	2
16	97852	Fitting , exhaust elbow (1-1/4" hose)	2
17	30624	Fitting , exhaust manifold (90-degree)	2
18	RS3552	Plug , drain	2
19	98127	Gasket , exhaust riser & elbow (Use of exhaust riser requires 6 gaskets)	4
20	98124	Block-Off Plate , exhaust elbow	2
NI	23283	FWC Kit (rear mounted heat exchanger) Std. & V-drive	

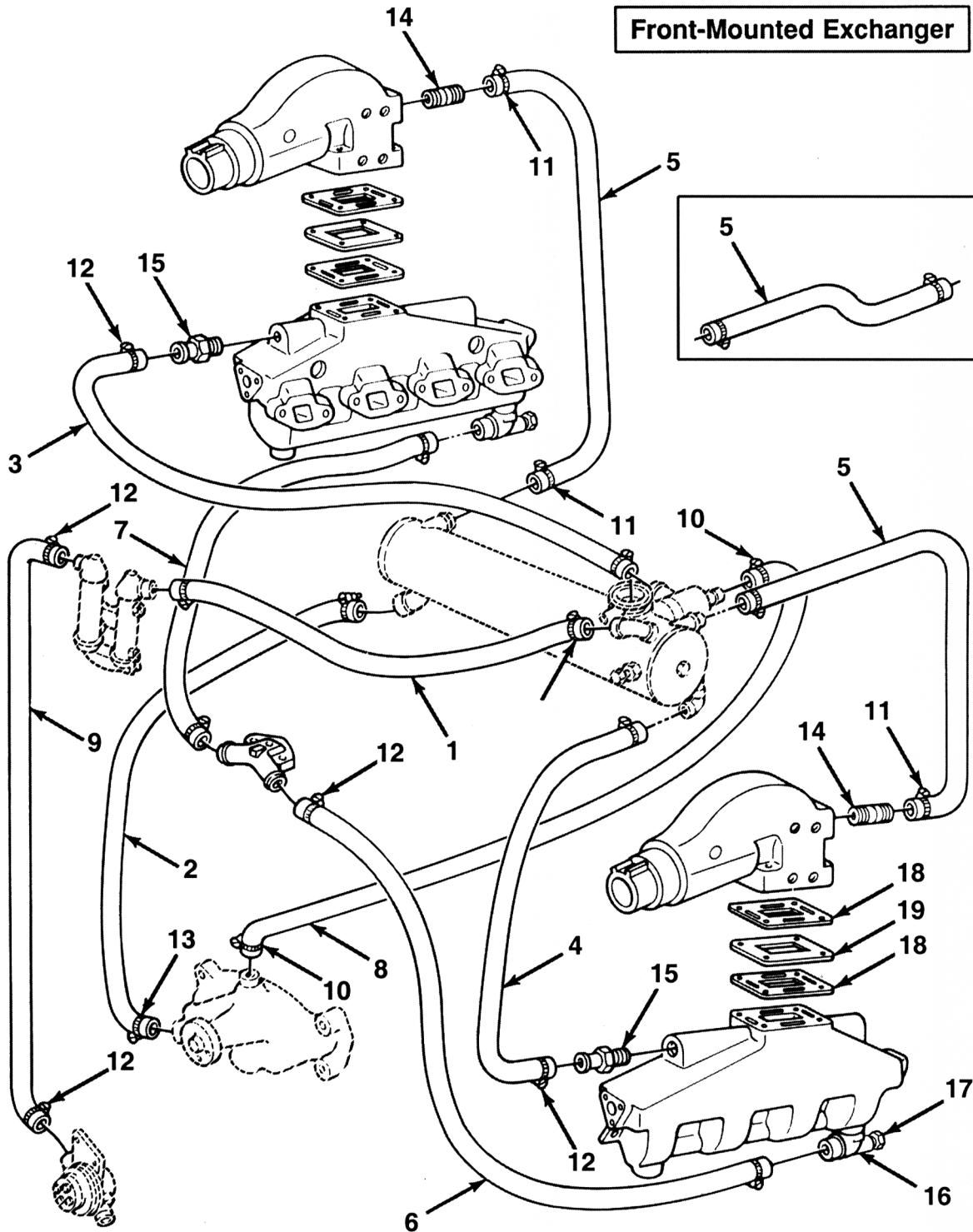
FRESH WATER COOLING COMPONENTS 2 (REAR MOUNTED EXCHANGER) - FIGURE 28



FRESH WATER COOLING COMPONENTS 2 (REAR MOUNTED EXCHANGER) - FIGURE 28

ITEM	PART NUMBER	DESCRIPTION	QUANTITY
1	98562	Heat Exchanger Assembly	1
2	R168005	Zinc , sacrificial	1
3	RS3552	Plug , drain (1/4")	2
4	98202	Thermostat Housing	1
5	98203	Thermostat (170-degree)	1
6	98204	Hose , thermostat housing attaching	1
7	20868	Clamp , thermostat housing (#36)	2
8	R094041	Isolator , top	2
9	R094040	Isolator , bottom	2
10	R171009	Clamp , exchanger mounting	2
11	R090255	Support , exchanger (Starboard)	1
12	R090254	Support , exchanger (Port)	1
13	90368175	Bolt , support attaching	2
14	90368100	Bolt , support attaching	2
15	93300000	Lockwasher , attaching bolt	4
16	R146002	Bottle , coolant overflow	1
17	90205075	Bolt , bottle mounting (3/4")	2
18	93200000	Lockwasher , mounting bolt	2
19	92200000	Washer , mounting bolt	2
20	R045139	Tube , overflow [48"]	1
21	R127084	Clamp , overflow tube	2
22	23527	Cap , coolant fill (7 lb)	1
23	98249	Fill Riser , fresh water	1
24	444705	Plug , pipe	1
25	RS3551	Plug , pipe (3/8")	1
26	7140280	Fitting , water bypass hose	1
27	90305125	Bolt , riser attaching (1 -1/4")	2
28	93300000	Lockwasher , attaching bolt	2
29	RM0121	Gasket , fill riser	1
30	R034006A	Cap , fill riser pressure (7 lb)	1
31	23540	End Cap Kit	AR
32	R101013	Wire , grounding	2
33	TBD	Lockwasher , ground stud	1
34	TBD	Nut , ground wire stud	1

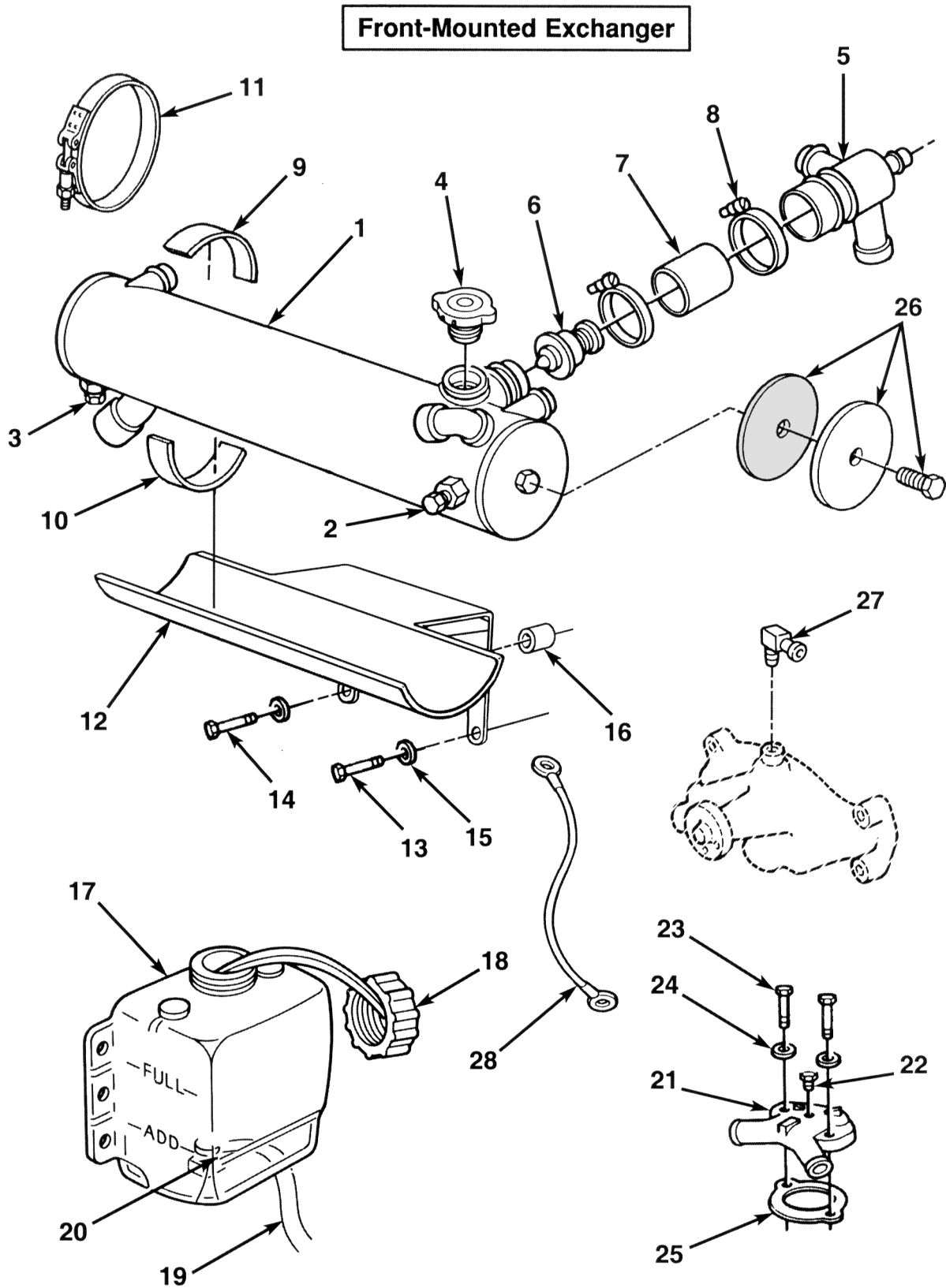
FRESH WATER COOLING COMPONENTS 1 (FRONT MOUNTED EXCHANGER - FIGURE 29)



FRESH WATER COOLING COMPONENTS 1 (FRONT MOUNTED EXCHANGER - FIGURE 29)

ITEM	PART NUMBER	DESCRIPTION	QUANTITY
1	18393	Hose , oil cooler to exchanger	1
2	18400	Hose , circulation pump to exchanger	1
3	18401	Hose , thermostat housing to manifold (LH)	1
4	18402	Hose , thermostat housing to manifold (RH)	1
5	18396	Hose , exchanger to exhaust elbow (STD)	2
5	18397	Hose , exchanger to exhaust elbow (STD)	2
5	18398	Hose , exchanger to exhaust elbow ("V"-Drive)	2
6	18317	Hose , intake to manifold (Port)	1
7	18327	Hose , intake to manifold (Starboard)	1
8	20806	Hose , bypass - thermostat housing to water pump	1
9	18384	Hose , raw water pump to oil cooler	1
10	RS3854	Clamp , hose (#12)	2
11	RS3851	Clamp , hose (#16)	4
12	RS3858	Clamp , hose (#20)	10
13	RS3855	Clamp , hose (#32)	2
14	97911	Fitting , exhaust elbow (1 " hose)	2
15	97852	Fitting , exhaust elbow (1-1/4" hose)	2
16	30624	Fitting , exhaust manifold (90-degree)	2
17	98127	Gasket , exhaust riser & elbow (Use of exhaust riser requires 6 gaskets)	4
18	98124	Block-Off Plate , exhaust elbow	2
NI	RS3552	Plug , drain	2
NI	23296	FWC Kit (Standard application) (Front)	

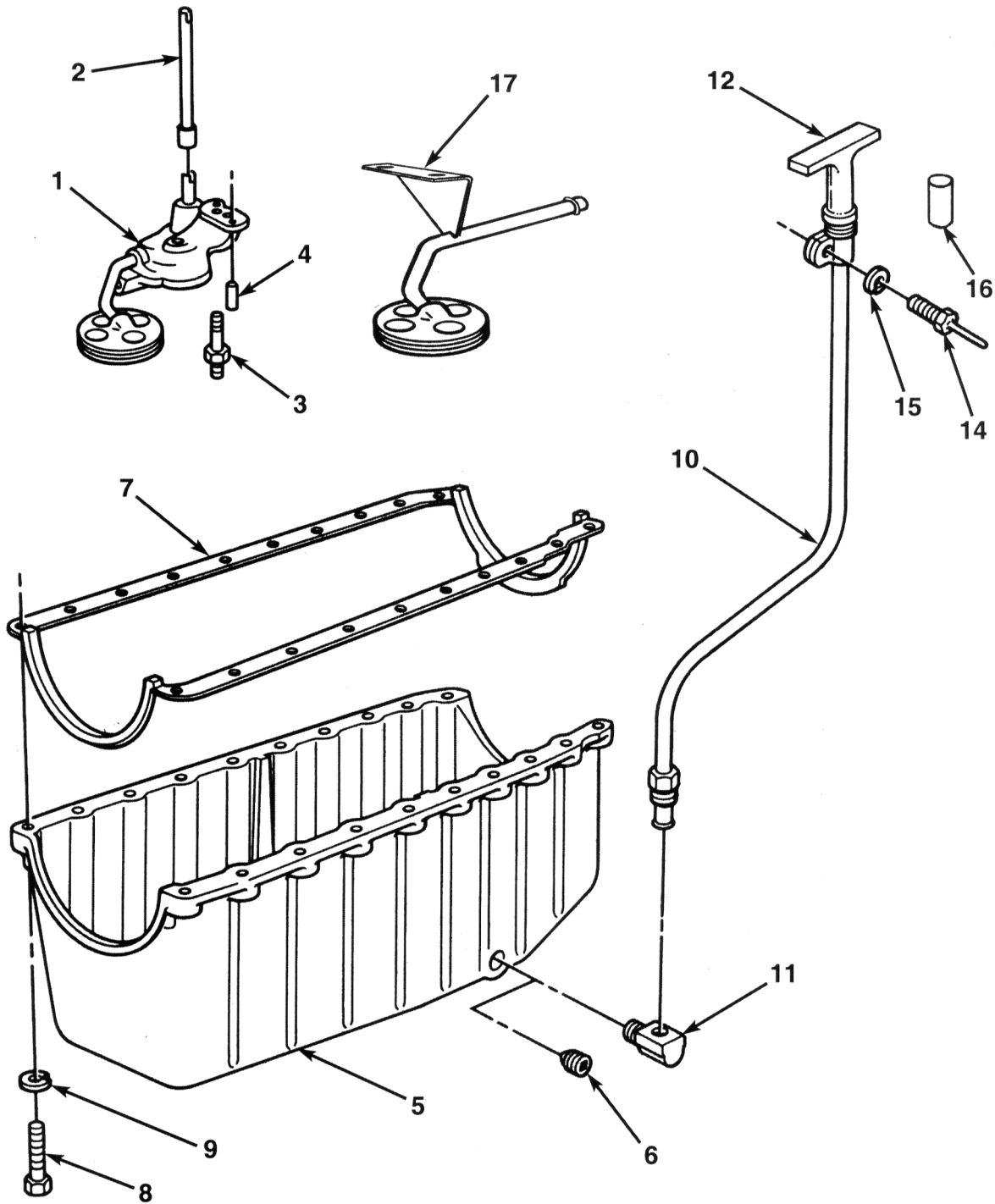
FRESH WATER COOLING COMPONENTS 2 (FRONT MOUNTED EXCHANGER - FIGURE 30)



FRESH WATER COOLING COMPONENTS 2 (FRONT MOUNTED EXCHANGER - FIGURE 30)

ITEM	PART NUMBER	DESCRIPTION	QUANTITY
1	98636	Heat Exchanger Assembly (Early style)	1
1	98653	Heat Exchanger Assembly (Late style)	1
2	R168005	Zinc , sacrificial	1
3	RS3552	Plug , drain (1/4")	2
4	98201	Cap , exchanger pressure (7 lb)	1
5	98638	Thermostat Housing	1
6	98203	Thermostat (170-degree)	1
7	98204	Hose , thermostat housing attaching	1
8	RS3860	Clamp , thermostat housing (#36)	2
9	R094041	Isolator , top	2
10	R094040	Isolator , bottom	2
11	R171009	Clamp , exchanger mounting	2
12	98634	Bracket , exchanger mounting	1
13	90405100	Bolt , support attaching (7/16 X 1")	1
14	90405150	Bolt , support attaching (7/16 X 1-1/2")	1
15	93400000	Lockwasher , attaching bolt	2
16	98639	Spacer , mounting bracket attaching	1
17	R146002	Bottle , coolant overflow	1
18	23527	Cap , coolant fill	1
19	R045139	Tube , overflow [48"]	1
20	R127084	Clamp , overflow tube	2
21	97851	Housing , intake water distribution	1
22	RS3551	Plug , vent (1/4")	1
23	90305125	Bolt , riser attaching (1 -1/4")	2
24	93300000	Lockwasher , attaching bolt	2
25	RM0121	Gasket , housing to intake	1
26	23540	End Cap Kit (exchanger)	AR
27	80948	Fitting , 90 deg water pump bypass	1
NI	R101013	Wire , ground (heat exchanger)	1

ALUMINUM OIL PAN and OIL PUMP ASSEMBLY - FIGURE 31



ALUMINUM OIL PAN and OIL PUMP ASSEMBLY - FIGURE 31

ITEM	PART NUMBER	DESCRIPTION	QUANTITY
1	RA070011	Oil Pump Assembly	1
2	R058055	Shaft , oil pump to distributor	1
3	7100470	Stud , oil pump mounting	1
4	R022022	Pin , dowel - oil pump aligning	2
5	98098	Oil Pan , cast aluminum	1
6	RS3551	Plug , 3/8 brass	AR
7	RM0230	Gasket , oil pan	1
8	90205150	Bolt , oil pan mounting	20
9	93200000	Lockwasher , mounting bolt	20
10	R041072	Dipstick Tube	2
11	R024115	Elbow , dipstick tube to oil pan	2
12	98287	Dipstick , oil level (yellow/black lettering)	1
13	R127015	Clamp , dipstick tube attaching	2
14	98235	Bolt , clamp attaching	2
15	93300000	Lockwasher , attaching bolt	2
16	45343	Cap , dipstick tube	1
17	98434	Oil Pickup Screen , (V-Drive Application Only)	1
NI	7050350	Stud , oil screen mounting	2
NI	7050360	Nut , oil screen attaching	2

This Page Was
Intentially
Left Blank

To help keep your engine running trouble free, specify only genuine Crusader Engine replacement parts.